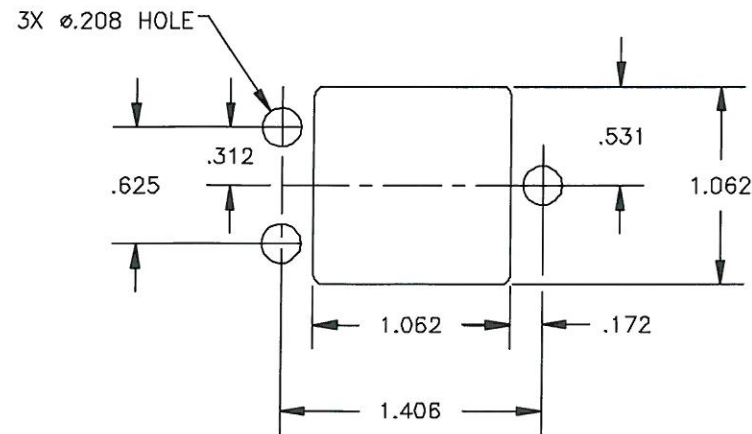


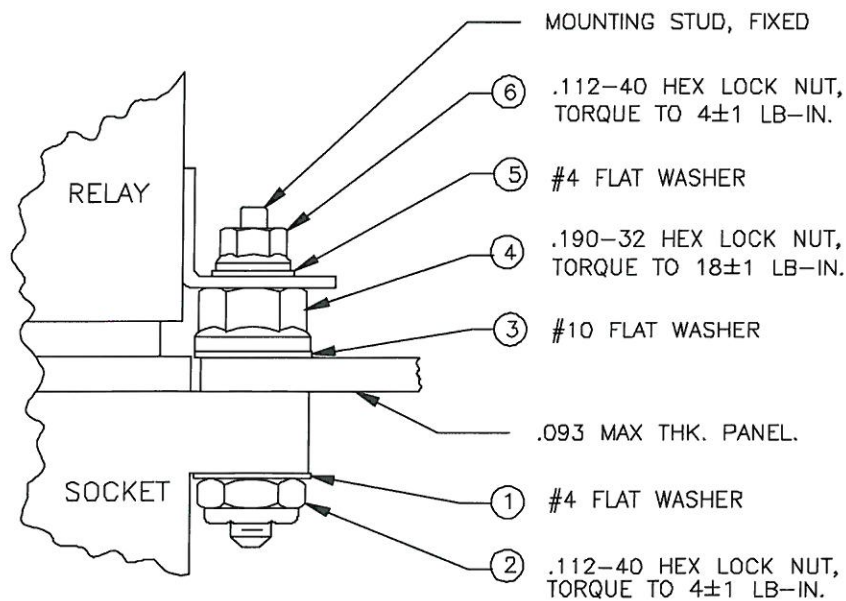
RSE112115

REV	ECN	APP'D
N	2949	
O	5430	JT 8/27/04
P	6686	<i>JT 4/1/11</i>

BILL OF MATERIALS		QTY		
P/N	DESCRIPTION	RSE112115	RSE112116	RSE112117
200002801	HEX NUT SLF LKG #4-40 #704	6	6	6
200002501	HEX NUT SLF LKG #10-32 MS21042	3	3	3
200002901	FLT WASHER #10 PSVTD #504	3	3	3
200003820	STL HEX NUT SLF LKG 4-40	6	6	6
005111400	3.5"DRAM UNCAPPED VIAL/CAP	1	-	1
CNS126900	M39029/92-533 CONTACT SZ16/16	2	-	2
CNS128900	M39029/92-535 CONTACT SZ12/12	-	-	9
CNS129900	M39029/92-536 CONTACT SZ12/16	9	-	-

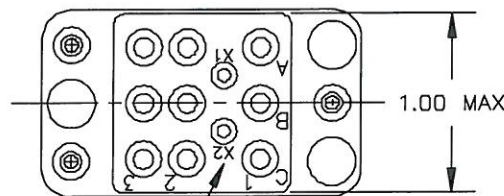
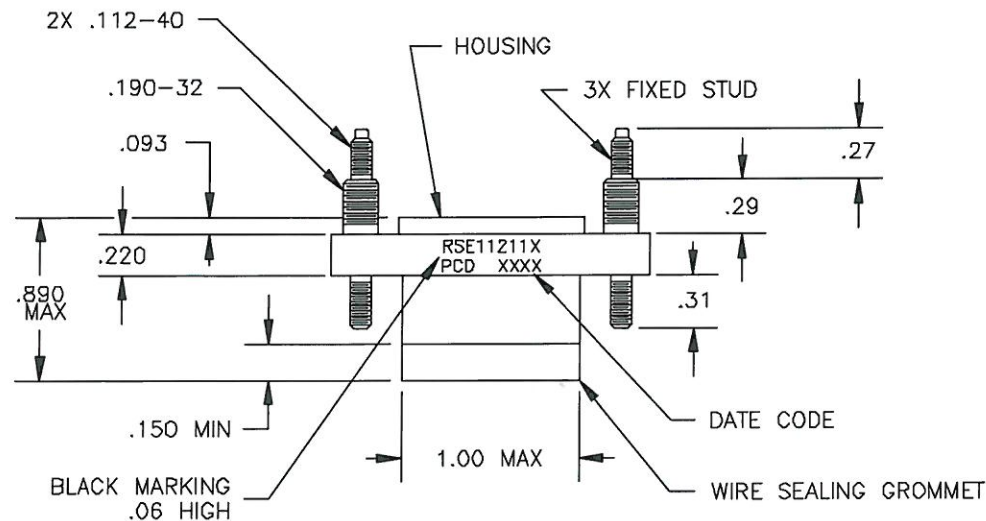


RECOMMENDED MOUNTING PANEL HOLE

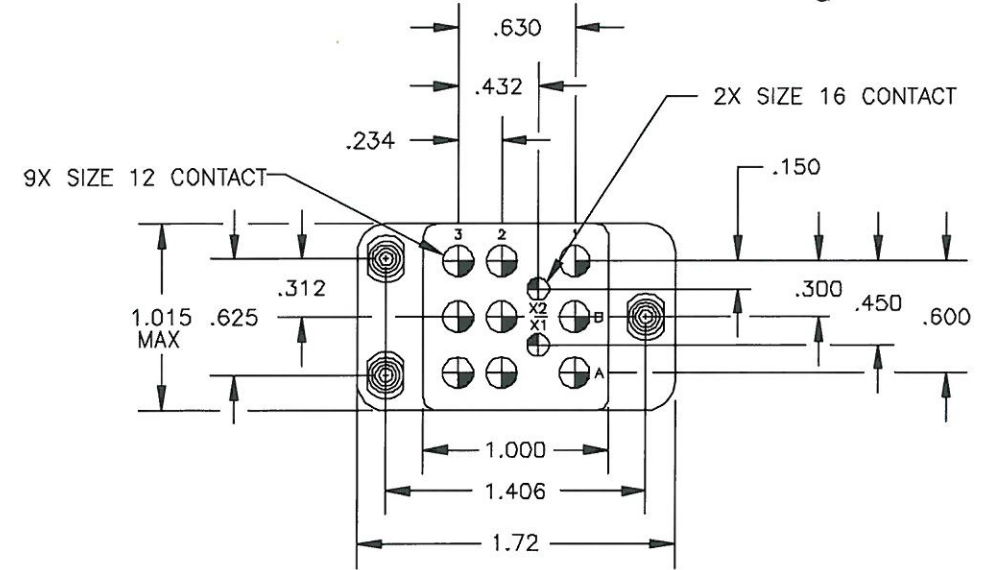


MOUNTING HARDWARE

INSTALLATION SEQUENCE BY ITEM NUMBER
TYP 3 PLACES



POSITION MARKING
COLOR: WHITE



NOTES:

- CONFORMS TO PERFORMANCE REQUIREMENTS OF MIL-S-12883.
- MATERIALS:
 - A. HOUSING - POLYETHERIMIDE, COLOR: BLUE-GREEN.
 - B. GROMMET - SILICONE ELASTOMER, COLOR: RED.
- SOCKET CONTACTS CONFORM TO PERFORMANCE REQUIREMENTS OF MIL-C-39029, GOLD OVER NICKEL PLATE.
- COMPLETE MOUNTING HARDWARE SUPPLIED.
- OPERATING TEMPERATURE: +125°C/-65°C CONTINUOUS.
- CONTACT INSTALLATION TOOLS:

	#12 CONTACT	#16 CONTACT
CRIMP TOOL:	M22520/1-01	M22520/1-01
POSITIONER:	M22520/1-02	M22520/1-02
INSERTION/REMOVAL:	M81969/14-04	M81969/14-03.

DIMENSIONS ANSI Y14.5M UNITS: INCHES ACAD FILE	TOLERANCES .XX ±.01 .XXX ±.005 ANGLES ±2°	PROJECTION 	SPECIFICATION DRAWING ENGR A. PATRIE 8/13/97 CHKD <i>[Signature]</i> 4/1/11 APPR <i>[Signature]</i> 4/1/11	SIZE B	TITLE FIXED STUD SIZE 12 & 16	DWG NO. RSE112115	REV P
ORIGINAL 	THIS DOCUMENT CONTAINS PROPRIETARY INFORMATION WHICH IS THE CONFIDENTIAL PROPERTY OF PCD, INC. PEABODY, MA, USA		CODE: 58982	SCALE: 1X	SHEET 1 OF 1		

RSE112115

RSE112115