

DO NOT SCALE DRAWING DIMENSION IN METRIC

DWG. NO. SD-35129-001

SIMILAR ITEM

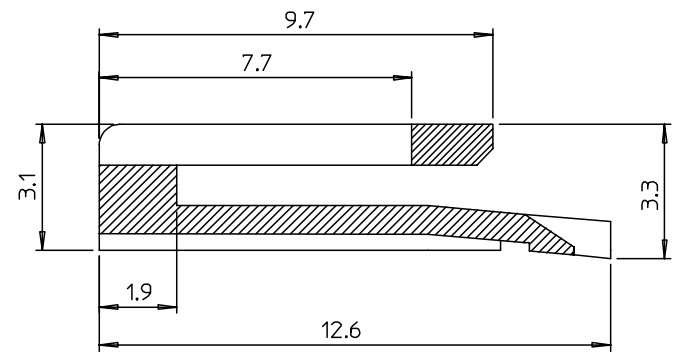
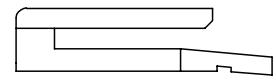
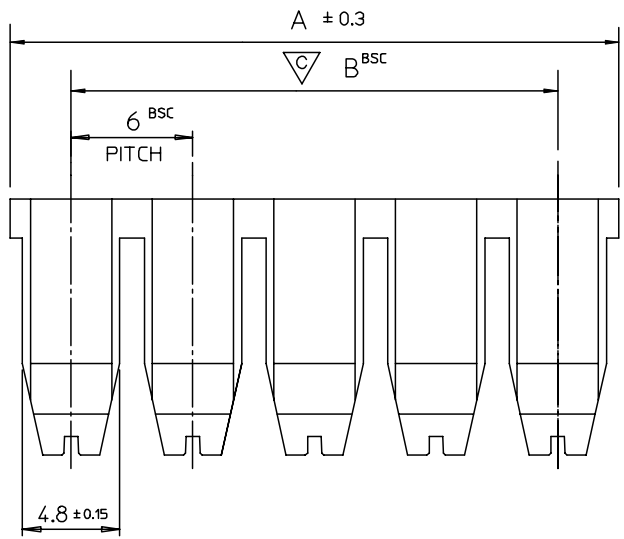
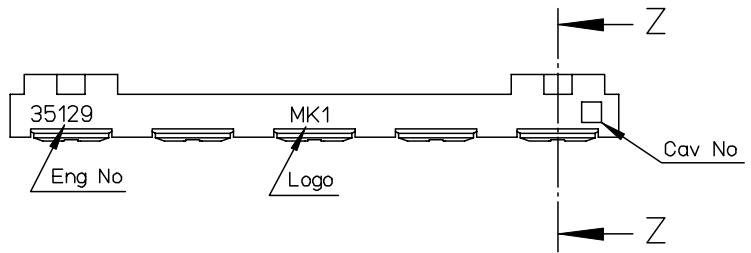
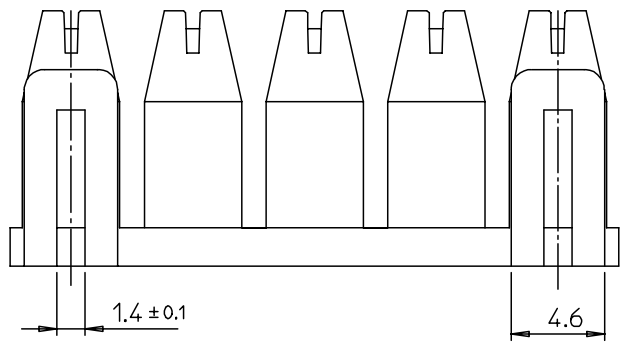
PROJECT NO.

C

B

REV

8 7 6 5 4 3 2 1



**NOTES**

1. MATERIALS: POLYESTER(PBT), UL94V-0, COLOR: NATURAL(WHITE)
2. DRAFT TO BE 0°30' UNLESS SPECIFIED.
3. WARPING TO BE 0.20 MAX.
4. PERMISSIBLE FLASH: 0.10MAX.
5. MATED HOUSING : 35127-\*\*\*\*  
35128-\*\*\*\*
6. PRODUCT SPECIFICATION : PS35129

24	30	351290500	35129-0500	5
18	24	351290400	35129-0400	4
12	18	351290300	35129-0300	3
6	12	351290200	35129-0200	2
B	A	MAT'L NO	ENG NO	CIRCUITS

SECTION Z-Z

REVISED ECN NO. KOR2003-0140 DRWN: H.S.SHIN 02.12.17 CHK: J.K.OH APPR: C.W.LEE	DESCRIPTION MAJOR CRITICAL C = 1	QUALITY SYMBOLS = = 1	GENERAL TOLERANCES: (UNLESS SPECIFIED)		SCALE 4:1	DESIGN UNITS <input checked="" type="checkbox"/> mm <input type="checkbox"/> INCH	THIRD ANGLE PROJECTION <input checked="" type="checkbox"/> THIRD ANGLE <input type="checkbox"/> FIRST ANGLE	DIMENSIONS: <input type="checkbox"/> mm <input type="checkbox"/> INCH <input checked="" type="checkbox"/> mm ONLY	SHT REV	REVISE ON CAD ONLY
			4 PLACES ±0.1 3 PLACES ±0.1 2 PLACES ±0.1 1 PLACE ±0.2	±0.1 ±0.1 ±0.1 ±0.2	±0.1 ±0.1 ±0.1 ±0.2	DRAWN BY & DATE Y.J.KIM 92.01.29 CHECKED BY & DATE Y.J.KIM 92.01.29 APPROVED BY & DATE C.W.LEE 92.01.29		TITLE: 6.0 PITCH W-t-W TPA MOLEX INCORPORATED		
C	REV	ANGULAR: ± 1° DRAFT WHERE APPLICABLE MUST REMAIN WITHIN DIMENSIONS		CAD FILENAME SD35129A_C.MI		MATERIAL NO. SEE TABLE	DRAWING NO. SD-35129-001	SHEET NO. 1 of 1	SIZE B	

8 7 6 5 4 3 2 1 KOREA MX-A3

F  
E  
D  
C  
B  
A