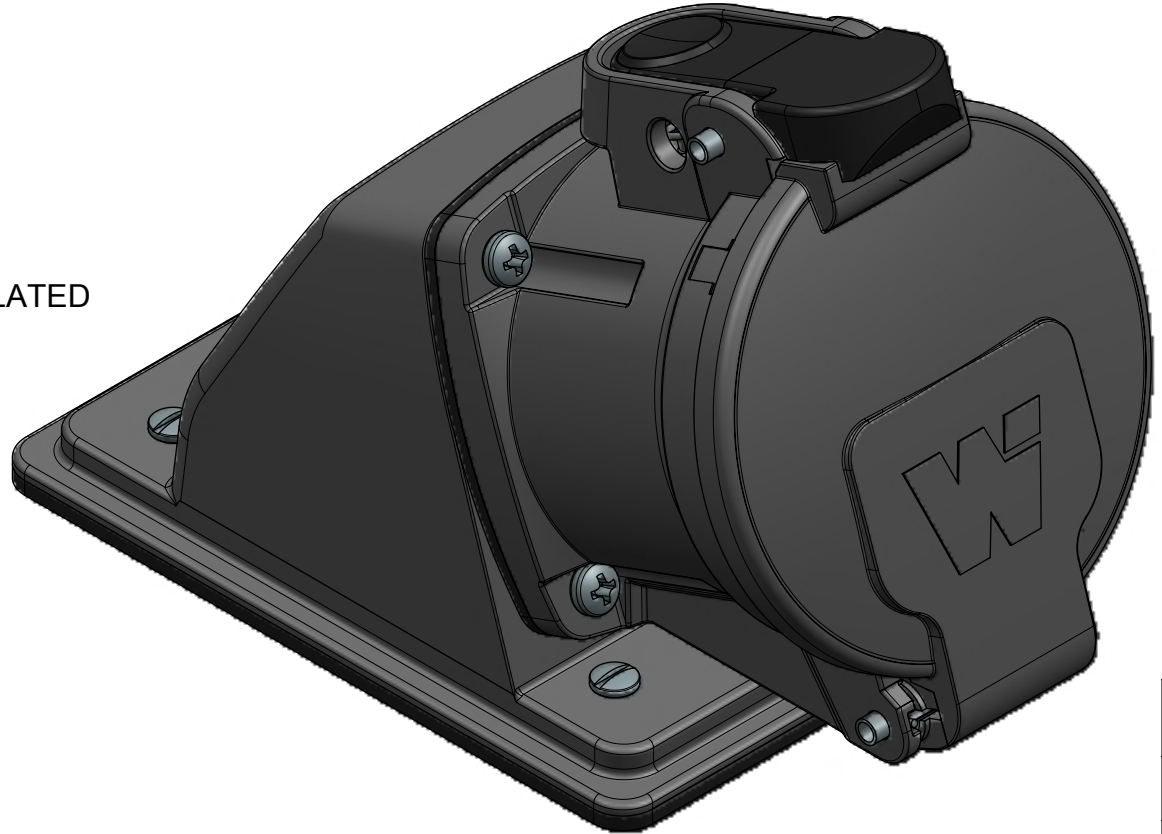


NOTES:

- MATERIALS:
 ANGLE, HOUSINGS AND INSULATORS: GLASS FILLED PBT
 CONTACTS: COPPER ALLOY WITH A SILVER NICKEL TIP, SILVER PLATED
 MOUNTING AND INTERFACE GASKETS: SILICONE
 GROMMET - RUBBER
 FRICTION RING - NATURAL POLYETHYLENE
 COMPRESSION NUT - BLACK PBT
 SELF TAPPING SCREWS (PHILLIPS) - STAINLESS STEEL
 ANGLE MOUNTING SCREWS (SLOTTED) - STAINLESS STEEL
 ANGLE GASKET - EPDM

- RATINGS:
 CURRENT: 30 AMPS
 VOLTAGE AND HORSEPOWER: SEE TABLE
 OPERATING TEMPERATURE: -25°C (-13°F) TO 60°C (140°F)
 ENVIRONMENTAL: NEMA TYPE 4X
 WIRING CAPACITY: 12 AWG MIN. TO 8 AWG MAX.
 TORQUE TERMINAL SCREWS TO 1.7 N-M (15 in/lbs)
 AGENCY: UL LISTING PENDING
 SWITCH RATED RECEPTACLE/CONNECTOR
 BRANCH CIRCUIT DISCONNECT SWITCH
 MOTOR CIRCUIT DISCONNECT SWITCH IF HP RATED

CONNECTOR AND HANDLE ARE PACKAGED AS SUB-ASSEMBLIES AND WILL REQUIRE END USER ASSEMBLY.



ARC30FAE03 SHOWN

MATERIAL NUMBER	ENGINEERING NUMBER	DESCRIPTION	INSULATOR KEYING POSITION	HORSEPOWER RATING
1122190043	ARC30FAA01	ARC 30A FA 125VAC 1P+N+G	7	1 HP
1122190044	ARC30FAB02	ARC 30A FA 250VAC 2P+G		3 HP
1122190045	ARC30FAB03	ARC 30A FA 250VAC 3P+G		5 HP
1122190046	ARC30FAAB04	ARC 30A FA 125/250VAC 2P+N+G	16	NA
1122190047	ARC30FAC02	ARC 30A FA 208VAC 2P+G		NA
1122190048	ARC30FAC03	ARC 30A FA 208VAC 3P+G		5 HP
1122190049	ARC30FAAC05	ARC 30A FA 120/208VAC 3P+N+G	4	NA
1122190050	ARC30FAD01	ARC 30A FA 277VAC 1P+N+G		NA
1122190051	ARC30FAE02	ARC 30A FA 480VAC 2P+G		NA
1122190052	ARC30FAE03	ARC 30A FA 480VAC 3P+G	14	NA
1122190053	ARC30FADE05	ARC 30A FA 277/480VAC 3P+N+G		NA
1122190054	ARC30FAF02	ARC 30A FA 600VAC 2P+G		NA
1122190055	ARC30FAF03	ARC 30A FA 600VAC 3P+G	14	NA
1122190056	ARC30FAGF05	ARC 30A FA 347/600VAC 3P+N+G		NA

THIS DRAWING CONTAINS INFORMATION THAT IS PROPRIETARY TO MOLEX ELECTRONIC TECHNOLOGIES, LLC AND SHOULD NOT BE USED WITHOUT WRITTEN PERMISSION

QUALITY SYMBOLS	2018/04/12	GENERAL TOLERANCES (UNLESS SPECIFIED)		DIMENSION UNITS	SCALE								
	2018/05/10	MM	INCH	MM[INCH]	1:1								
INITIAL RELEASE	2018/05/10	4 PLACES ±	±	DRWN BY	DATE	30A ArcArrest™ CONNECTOR KIT WITH 70° ANGLE							
EC NO: 176476	DRWN: VHANDI	3 PLACES ±	± .005	VBASUTHKARP	01/12/2018								
CHKD: BRUPERT	CHKD: BRUPERT	2 PLACES ±	± .010	CHK'D BY	DATE	PRODUCT CUSTOMER DRAWING							
REV / APPR: BRUPERT	APPR: BRUPERT	1 PLACES ±	± .020	APPR BY	DATE								
0 PLACES ±	±	ANGULAR TOL = 0.5°		DRAWING SIZE	THIRD ANGLE PROJECTION	<table border="1"> <tr> <th>SERIES</th> <th>MATERIAL NUMBER</th> <th>CUSTOMER</th> </tr> <tr> <td>112219</td> <td>SEE TABLE</td> <td>GENERAL MARKET</td> </tr> </table>	SERIES	MATERIAL NUMBER	CUSTOMER	112219	SEE TABLE	GENERAL MARKET	
SERIES	MATERIAL NUMBER	CUSTOMER											
112219	SEE TABLE	GENERAL MARKET											
<table border="1"> <tr> <th>DOCUMENT NUMBER</th> <th>DOC TYPE</th> <th>DOC PART</th> <th>SHEET NUMBER</th> </tr> <tr> <td>1122190052</td> <td>PSD</td> <td>000</td> <td>1 OF 1</td> </tr> </table>	DOCUMENT NUMBER	DOC TYPE	DOC PART	SHEET NUMBER	1122190052	PSD	000	1 OF 1	DRAFT WHERE APPLICABLE MUST REMAIN WITHIN DIMENSIONS		C		
DOCUMENT NUMBER	DOC TYPE	DOC PART	SHEET NUMBER										
1122190052	PSD	000	1 OF 1										