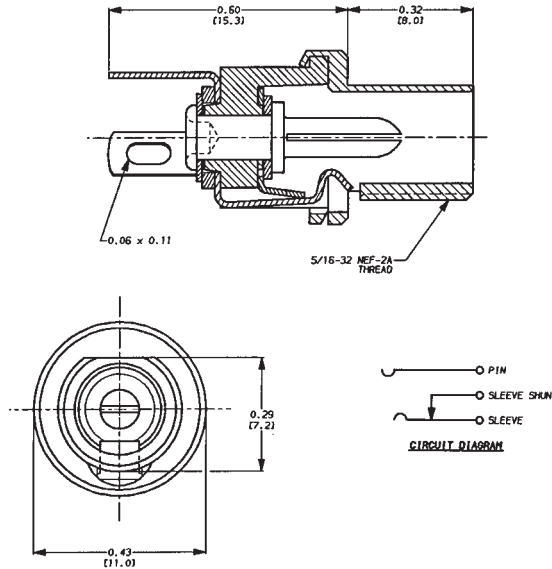
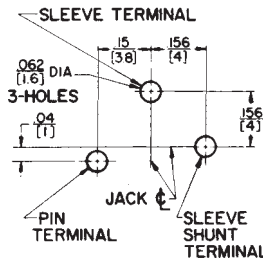
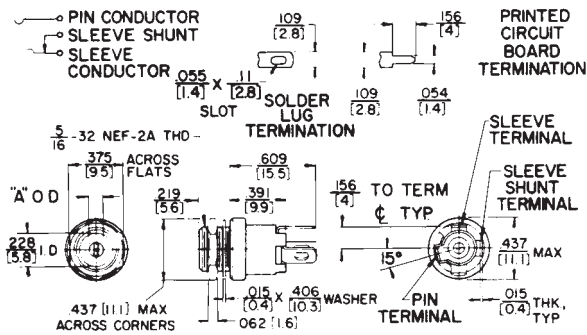


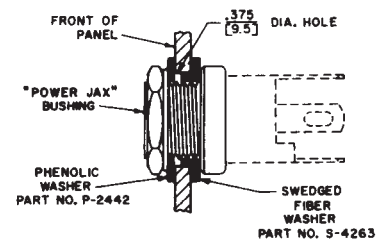
## STRAIGHT MINIATURE POWER JACKS



### 712A

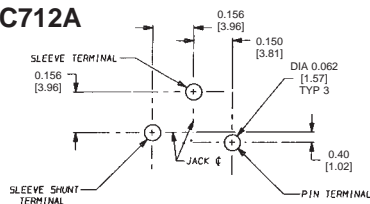


RECOMMENDED PC BOARD LAYOUT (BOTTOM/WIRING SIDE)



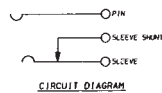
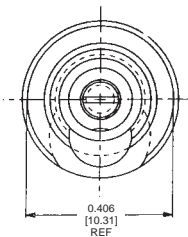
INSULATED MOUNTING

### PC712A



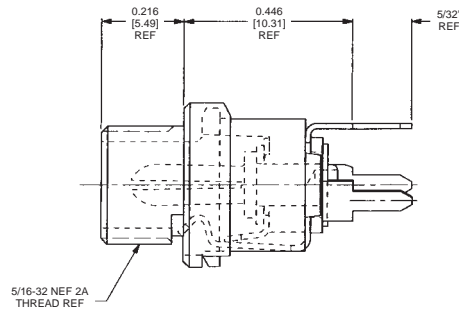
PC BOARD LAYOUT

SCALE: 1 = 0.250 COMPONENT SIDE



	CENTER PIN
RAPC 712	.097 - .099" (2.46 - 2.52 mm)
RAPC 722	.075 - .077" (1.91 - 1.96 mm)

### RAPC 722



DIMENSIONS ARE FOR REFERENCE ONLY  $\frac{\text{Inch}}{\text{(mm)}}$

NOTE: Contact your Switchcraft Representative for price and delivery.

# JACKS & PLUGS

# PRODUCT BULLETIN 529

## LOCKING POWER JACK

Switchcraft introduces the Right Angle (RA) locking power jacks. Similar to the PC712A, PC722A, and PC732A, the new versions have RAPC terminals to allow right angle mounting to the PC board. The new versions have threaded bushings to allow use of both standard and locking power plugs. The L versions of the new power jacks have a longer bushing (0.319") to accommodate thicker panel mount applications. Available in the same pin diameters as our existing line of power jacks (0.050", 0.080", and 0.100"). The new power jacks are perfect for applications where the customer needs a locking feature, but cannot use a standard vertical PC mount jack.

### Features and Benefits

- Right-angle power jack for PC mounting
- Three center pin diameters: 0.100", 0.080", and 0.050"
- Kinked terminals allow snap-in PC board mounting
- Automatic switch over from AC to DC permitted by sleeve shunt spring
- Split center pin shaped to hold mating plug firmly
- Standard version has 0.219" long bushing
- L versions has 0.310" long bushing to permit use of thicker panels
- L versions also accept plugs with 0.475" long plug fingers
- Non-turn mounting possible using standard "D" shape bushing
- Insulated mounting available. See below

### Markets

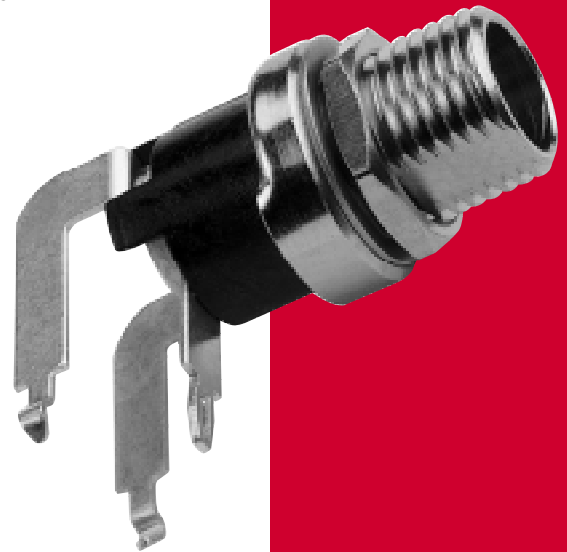
- DC-powered hand held instrumentation
- Portable Computers
- Cellular/Portable Phones
- Battery Chargers
- External Low Voltage Power Supplies for Instrumentation and More

### Specifications

#### Mechanical

Life: 10,000 insertion/withdrawal cycles minimum

Insertion/Withdrawal Forces: 3 pound maximum insertion,  
4 ounce minimum withdrawal



## Locking Power Jack RA Series

### Specifications continued . . .

#### Electrical

Contact Resistance: .01 ohms maximum  
(initial) .02 ohms maximum (after humidity, durability exposure),  
.1 ohms maximum (after salt spray)

Insulation Resistance: 10,000 MΩ minimum (initial), 1,000 MΩ minimum  
(after humidity, durability exposure)

Dielectric Withstanding Voltage: 500V AC maximum

Contact Rating: 5A, 12V DC resistive.

#### Materials

Housing: Molded plastic

Mounting Bushing and Hex Nut: Plated copper alloy

Pin, Spring and Terminals: Plated copper alloy

Insulators: Rigid plastic

Hardware: Supplied with one Number P2439 nickel-plated brass  
hex nut, and one Number P2441 nickel-plated steel flat washer

Part Numbers	Description
712RA	Right angle PC mount, 0.100" diameter pin
722RA	Right angle PC mount, 0.080" diameter pin
732RA	Right angle PC mount, 0.050" diameter pin
L712RA	Right angle PC mount, 0.100" diameter pin, 0.319" long bushing
L722RA	Right angle PC mount, 0.080" diameter pin, 0.319" long bushing
L732RA	Right angle PC mount, 0.050" diameter pin, 0.319" long bushing

