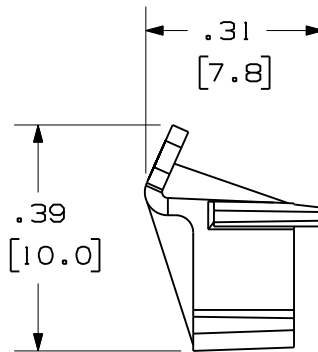
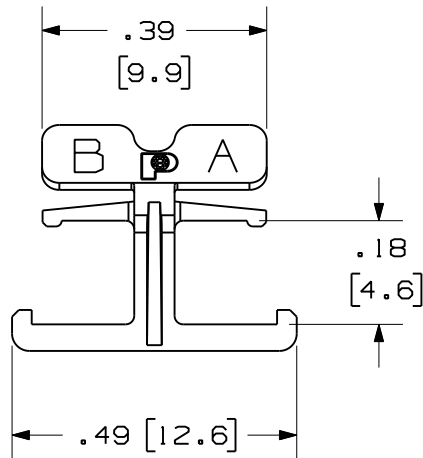
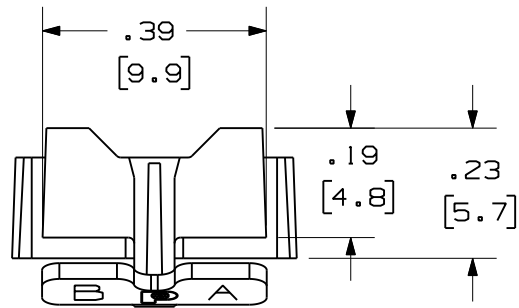


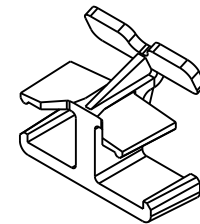
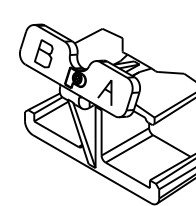
THIS COPY IS PROVIDED ON A RESTRICTED BASIS AND IS NOT TO BE USED IN ANY WAY DETRIMENTAL TO THE INTERESTS OF PANDUIT CORP.



PANDUIT PART NUMBER	COLOR	WEIGHT
NKFLCCLIP-L	RED	.022 lb/50 Pcs ( 9.81 g/50 Pcs. )

NOTES:

1. SEE CURRENT CATALOG FOR ADDITIONAL PART NUMBER SUFFIXES TO INDICATE COLOR AND OR PACKAGE QUANTITY.
2. SEE CATALOG FOR COMPLETE LIST OF PARTS APPLICABLE FOR USE WITH THIS PART.
3. MATERIAL: PLASTIC
4. ALL MATERIALS AND COMPONENTS USED MEET THE MATERIAL RESTRICTIONS OF RoHS, (EUROPEAN DIRECTIVE 2002/95/EC ON THE RESTRICTION OF HAZARDOUS SUBSTANCES) AS PROPOSED BY THE RoHS TECHNICAL ADAPTATION COMMITTEE.
5. DIMENSIONS IN BRACKETS ARE METRIC [ mm ].

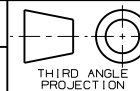


REV	DATE	BY	CHK	DESCRIPTION	ECN	R	CUST	SUP	OTH
R	12-22-09	EFK		RELEASED TO PRODUCTION	01371-64				

NETKEY LC CONNECTOR DUPLEX CLIP  
CUSTOMER DRAWING



**PANDUIT**™  
CORP.  
TINLEY PARK, ILL 60477



ALL DIMENSIONS ARE GIVEN IN INCHES  
UNLESS OTHERWISE SPECIFIED.  
DIMENSIONAL TOLERANCES ARE:  
(.X) ±.03 (0.8) ANGLES  
(.XXX) ±.010 (0.3)

DRAWING FILENAME  
M01371CL\_DC\_NETKEY/01A  
SCALE

DRAWN BY EFK

REVIEW DRAWING NUMBERS

PART NO.  
NKFLCCLIP-L

DATE  
12-22-09

DRAWING NO.  
01371-64

CHK'D

SIZE  
A