



Thermocouple Reference Design

Note the following details of the code protection feature on Microchip devices:

- Microchip products meet the specification contained in their particular Microchip Data Sheet.
- Microchip believes that its family of products is one of the most secure families of its kind on the market today, when used in the intended manner and under normal conditions.
- There are dishonest and possibly illegal methods used to breach the code protection feature. All of these methods, to our knowledge, require using the Microchip products in a manner outside the operating specifications contained in Microchip's Data Sheets. Most likely, the person doing so is engaged in theft of intellectual property.
- Microchip is willing to work with the customer who is concerned about the integrity of their code.
- Neither Microchip nor any other semiconductor manufacturer can guarantee the security of their code. Code protection does not mean that we are guaranteeing the product as "unbreakable."

Code protection is constantly evolving. We at Microchip are committed to continuously improving the code protection features of our products. Attempts to break Microchip's code protection feature may be a violation of the Digital Millennium Copyright Act. If such acts allow unauthorized access to your software or other copyrighted work, you may have a right to sue for relief under that Act.

Information contained in this publication regarding device applications and the like is provided only for your convenience and may be superseded by updates. It is your responsibility to ensure that your application meets with your specifications. MICROCHIP MAKES NO REPRESENTATIONS OR WARRANTIES OF ANY KIND WHETHER EXPRESS OR IMPLIED, WRITTEN OR ORAL, STATUTORY OR OTHERWISE, RELATED TO THE INFORMATION, INCLUDING BUT NOT LIMITED TO ITS CONDITION, QUALITY, PERFORMANCE, MERCHANTABILITY OR FITNESS FOR PURPOSE. Microchip disclaims all liability arising from this information and its use. Use of Microchip devices in life support and/or safety applications is entirely at the buyer's risk, and the buyer agrees to defend, indemnify and hold harmless Microchip from any and all damages, claims, suits, or expenses resulting from such use. No licenses are conveyed, implicitly or otherwise, under any Microchip intellectual property rights.

Trademarks

The Microchip name and logo, the Microchip logo, dsPIC, KEELOQ, KEELOQ logo, MPLAB, PIC, PICmicro, PICSTART, rfPIC and UNI/O are registered trademarks of Microchip Technology Incorporated in the U.S.A. and other countries.

FilterLab, Hampshire, HI-TECH C, Linear Active Thermistor, MXDEV, MXLAB, SEEVAL and The Embedded Control Solutions Company are registered trademarks of Microchip Technology Incorporated in the U.S.A.

Analog-for-the-Digital Age, Application Maestro, CodeGuard, dsPICDEM, dsPICDEM.net, dsPICworks, dsSPEAK, ECAN, ECONOMONITOR, FanSense, HI-TIDE, In-Circuit Serial Programming, ICSP, Mindi, MiWi, MPASM, MPLAB Certified logo, MPLIB, MPLINK, mTouch, Octopus, Omniscient Code Generation, PICC, PICC-18, PICDEM, PICDEM.net, PICKit, PICtail, PIC³² logo, REAL ICE, rLAB, Select Mode, Total Endurance, TSHARC, UniWinDriver, WiperLock and ZENA are trademarks of Microchip Technology Incorporated in the U.S.A. and other countries.

SQTP is a service mark of Microchip Technology Incorporated in the U.S.A.

All other trademarks mentioned herein are property of their respective companies.

© 2010, Microchip Technology Incorporated, Printed in the U.S.A., All Rights Reserved.

 Printed on recycled paper.

QUALITY MANAGEMENT SYSTEM
CERTIFIED BY DNV
== ISO/TS 16949:2002 ==

Microchip received ISO/TS-16949:2002 certification for its worldwide headquarters, design and wafer fabrication facilities in Chandler and Tempe, Arizona; Gresham, Oregon and design centers in California and India. The Company's quality system processes and procedures are for its PIC[®] MCUs and dsPIC[®] DSCs, KEELOQ[®] code hopping devices, Serial EEPROMs, microperipherals, nonvolatile memory and analog products. In addition, Microchip's quality system for the design and manufacture of development systems is ISO 9001:2000 certified.

Table of Contents

Preface	5
Introduction.....	5
Document Layout	5
Conventions Used in this Guide	6
Recommended Reading.....	7
The Microchip Web Site	7
Customer Support	7
Document Revision History	7
 Chapter 1. Product Overview	
1.1 Introduction	9
1.2 What is the Thermocouple Reference Design?	9
1.3 What the Thermocouple Reference Design kit includes	9
 Chapter 2. Installation and Operation	
2.1 Introduction	11
2.2 Features	11
2.3 Getting Started	12
2.3.1 Hardware Setup	12
2.3.2 Software Setup	13
2.3.3 Sensor Calibration and Setup	15
 Appendix A. Schematic and Layouts	
A.1 Introduction	17
A.2 Board - Schematic	18
A.3 Board -Top Silk and Pads	19
A.4 Board - Internal V _{DD} Layer	19
A.5 Board - Internal Ground Layer	20
A.6 Board - Bottom Silk and Pads	20
 Appendix B. Bill of Materials	
Worldwide Sales and Service	22

Thermocouple Reference Design

NOTES:

Preface

NOTICE TO CUSTOMERS

All documentation becomes dated, and this manual is no exception. Microchip tools and documentation are constantly evolving to meet customer needs, so some actual dialogs and/or tool descriptions may differ from those in this document. Please refer to our web site (www.microchip.com) to obtain the latest documentation available.

Documents are identified with a “DS” number. This number is located on the bottom of each page, in front of the page number. The numbering convention for the DS number is “DSXXXXA”, where “XXXX” is the document number and “A” is the revision level of the document.

For the most up-to-date information on development tools, see the MPLAB® IDE on-line help. Select the Help menu, and then Topics to open a list of available on-line help files.

INTRODUCTION

This chapter contains general information that will be useful to know before using the Thermocouple Reference Design. Items discussed in this chapter include:

- Document Layout
- Conventions Used in this Guide
- Recommended Reading
- The Microchip Web Site
- Customer Support
- Document Revision History

DOCUMENT LAYOUT

This document describes how to use the Thermocouple Reference Design as a development tool to emulate and debug firmware on a target board. The manual layout is as follows:

- **Chapter 1. “Product Overview”** – Important information about the Thermocouple Reference Design.
- **Chapter 2. “Installation and Operation”** – This chapter includes a detailed description of each function of the demo board and instructions for how to begin using the board.
- **Appendix A. “Schematic and Layouts”** – Shows the schematic and layout diagrams for the Thermocouple Reference Design.
- **Appendix B. “Bill of Materials”** – Lists the parts used to build the Thermocouple Reference Design.

Thermocouple Reference Design

CONVENTIONS USED IN THIS GUIDE

This manual uses the following documentation conventions:

DOCUMENTATION CONVENTIONS

Description	Represents	Examples
Arial font:		
Italic characters	Referenced books	<i>MPLAB[®] IDE User's Guide</i>
	Emphasized text	...is the <i>only</i> compiler...
Initial caps	A window	the Output window
	A dialog	the Settings dialog
	A menu selection	select Enable Programmer
Quotes	A field name in a window or dialog	"Save project before build"
Underlined, italic text with right angle bracket	A menu path	<u><i>File>Save</i></u>
Bold characters	A dialog button	Click OK
	A tab	Click the Power tab
N'Rnnnn	A number in verilog format, where N is the total number of digits, R is the radix and n is a digit.	4'b0010, 2'hF1
Text in angle brackets < >	A key on the keyboard	Press <Enter>, <F1>
Courier New font:		
Plain Courier New	Sample source code	#define START
	Filenames	autoexec.bat
	File paths	c:\mcc18\h
	Keywords	_asm, _endasm, static
	Command-line options	-Opa+, -Opa-
	Bit values	0, 1
	Constants	0xFF, 'A'
Italic Courier New	A variable argument	<i>file.o</i> , where <i>file</i> can be any valid filename
Square brackets []	Optional arguments	mcc18 [options] <i>file</i> [options]
Curly brackets and pipe character: { }	Choice of mutually exclusive arguments; an OR selection	errorlevel {0 1}
Ellipses...	Replaces repeated text	var_name [, var_name...]
	Represents code supplied by user	void main (void) { ... }

RECOMMENDED READING

This user's guide describes how to use Thermocouple Reference Design. Other useful documents are listed below. The following Microchip documents are available and recommended as supplemental reference resources.

MCP3421 Data Sheet, “18-Bit Analog-to-Digital Converter with $\mathcal{I}^2\mathcal{C}$ Interface and On-Board Reference” (DS22003).

This data sheet provides detailed information regarding the MCP3421 device.

THE MICROCHIP WEB SITE

Microchip provides online support via our web site at www.microchip.com. This web site is used as a means to make files and information easily available to customers. Accessible by using your favorite Internet browser, the web site contains the following information:

- **Product Support** – Data sheets and errata, application notes and sample programs, design resources, user's guides and hardware support documents, latest software releases and archived software
- **General Technical Support** – Frequently Asked Questions (FAQs), technical support requests, online discussion groups, Microchip consultant program member listing
- **Business of Microchip** – Product selector and ordering guides, latest Microchip press releases, listing of seminars and events, listings of Microchip sales offices, distributors and factory representatives

CUSTOMER SUPPORT

Users of Microchip products can receive assistance through several channels:

- Distributor or Representative
- Local Sales Office
- Field Application Engineer (FAE)
- Technical Support

Customers should contact their distributor, representative or field application engineer (FAE) for support. Local sales offices are also available to help customers. A listing of sales offices and locations is included in the back of this document.

Technical support is available through the web site at: <http://support.microchip.com>

DOCUMENT REVISION HISTORY

Revision A (December 2009)

- Initial Release of this Document.

Thermocouple Reference Design

NOTES:

Chapter 1. Product Overview

1.1 INTRODUCTION

The following name and assembly number are found on the Thermocouple Reference Design's Printed Circuit Board (PCB):

- 102-00114

1.2 WHAT IS THE THERMOCOUPLE REFERENCE DESIGN?

The Thermocouple Reference Design demonstrates how to instrument a Thermocouple and accurately sense temperature over the entire Thermocouple measurement range. This solution uses the MCP3421 18-Bit Analog-to-Digital Converter (ADC) to measure voltage across the Thermocouple. The ADC has an internal 2.048V reference voltage and a Programmable Gain Amplifier with 1, 2, 4, 8V/V. At a Gain of 8V/V the PGA effectively adds 3LSb to the ADC. This increases the ADC resolution to 21-bit or 2 $\mu\text{V}/\text{LSb}$. Therefore, the Thermocouple EMF voltage is measured with 2 μV resolution. For K-type Thermocouple, measurement system provides a $\pm 0.05^\circ\text{C}$ resolution. The cold-junction compensation is done using a $\pm 1^\circ\text{C}$ accurate 0.0625°C resolution silicon temperature sensor, the MCP9804. This solution provides a reliable and accurate Thermocouple instrumentation without the need for extensive circuit compensation and calibration routines.

The ADC output is read using a PICmicro Microcontroller. This controller is also connected to a PC using USB interface. The Thermal Management software is used to plot the Thermocouple temperature data in stripchart format.

1.3 WHAT THE THERMOCOUPLE REFERENCE DESIGN KIT INCLUDES

This Thermocouple Reference Design Kit includes:

- Thermocouple Reference Design, 102-00114
- K-type Thermocouple
- Important Information Sheet

Thermocouple Reference Design

NOTES:

Chapter 2. Installation and Operation

2.1 INTRODUCTION

The Thermocouple Reference Design demonstrates Microchip's solution to accurately measure temperature using a Thermocouple and an 18-bit ADC, MCP3421. This solution eliminates the need for the traditional analog instrumentation system calibration or gain and offset trimming techniques. In addition, the Thermocouple linearization techniques can be implemented in firmware or software.

The Thermocouple Reference Design allows user to evaluate Microchip's solution to accurately measure the temperature. When measuring temperature using a Thermocouple cold junction compensation is critical. It provides a reference to the thermocouple measurement. The MCP9804 provides the cold junction compensation at $\pm 1^{\circ}\text{C}$ accuracy. If the Thermocouple is compensated using the compensation equation provided by National Institute of Standards and Technology (NIST ITS-90), then temperature can be measured with $\pm 1^{\circ}\text{C}$ accuracy over the entire measurement range.

The MCP3421 and the MCP9804 serial output lines are connected to a PICMicro Microcontroller. This controller communicates with a PC via the USB interface and commands the ADC to convert voltage. The serial data is then displayed on the PC using the Thermal Management software in stripchart format.

2.2 FEATURES

The Thermocouple Reference Design has the following features:

- K-type Thermocouple
- Thermocouple connector
- Thermal Management GUI
- MCP9804 Temperature sensor with $\pm 0.25^{\circ}\text{C}$ (typical) accuracy from -40°C to $+125^{\circ}\text{C}$
- 18-Bit ADC MCP3421
- PIC18F2550 PIC[®] Microcontroller
- USB interface to PC

Thermocouple Reference Design

2.3 GETTING STARTED

This section describes how to quickly configure the Thermocouple Reference Design. A simplified block diagram of the configuration is provided in Figure 2-1.

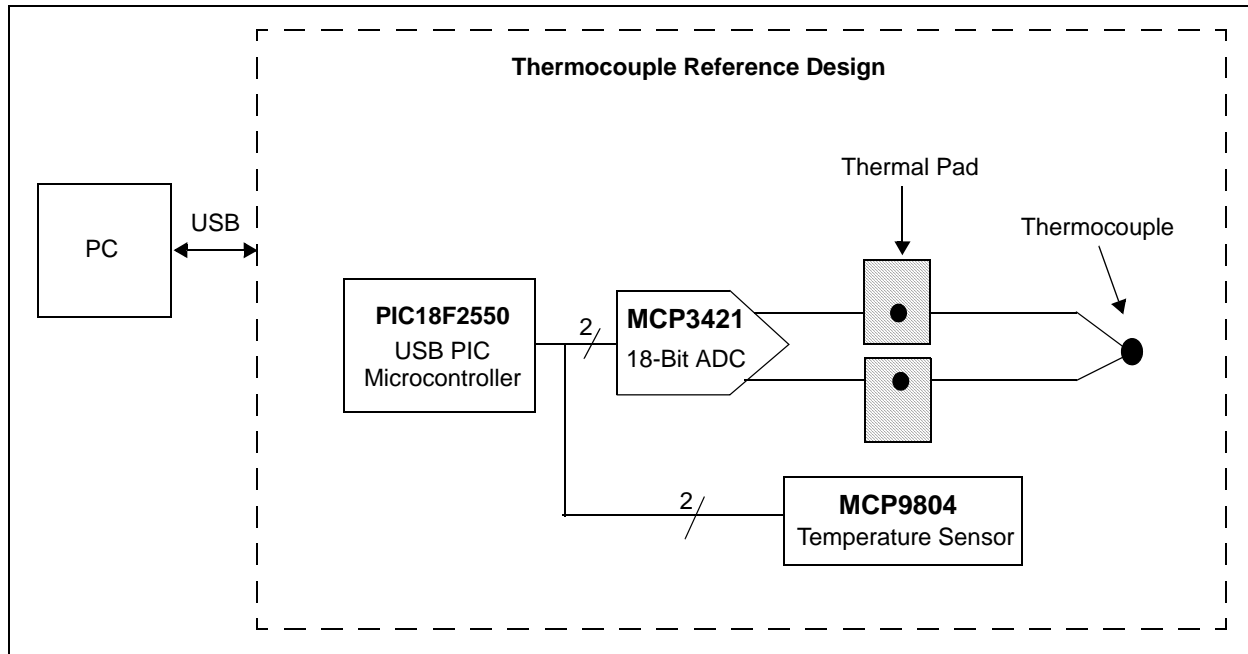


FIGURE 2-1: *Thermocouple Reference Design Simplified Block Diagram.*

2.3.1 Hardware Setup

1. Connect the USB cable to PC.
2. Start the Thermal Management software.
3. Click the **Start** icon to start acquisition and measure temperature from the Thermocouple.

2.3.2 Software Setup

Once the USB interface is secured, start the Thermal Management Software. When the software starts, if the hardware is successfully detected then the GUI will be displayed.

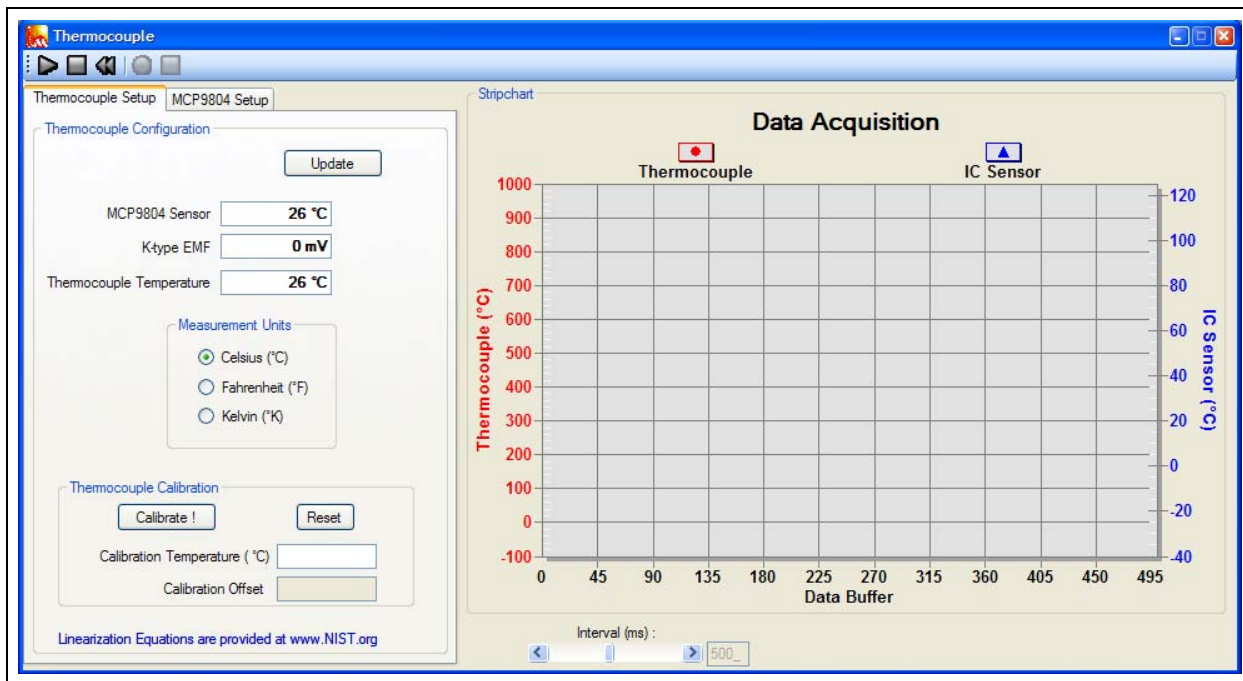


FIGURE 2-2: Thermocouple Reference Design GUI.

This configuration window allows the user to set some of parameters, such as measurement unit and calibration temperature.

The **Play**, **Stop** and **Reset** icons can be used to perform continuous data-log. The **Record** icon enables the user to data-log to an external file. The logging interval can be adjusted using the Interval Scroll bar from 100 ms to 30s.

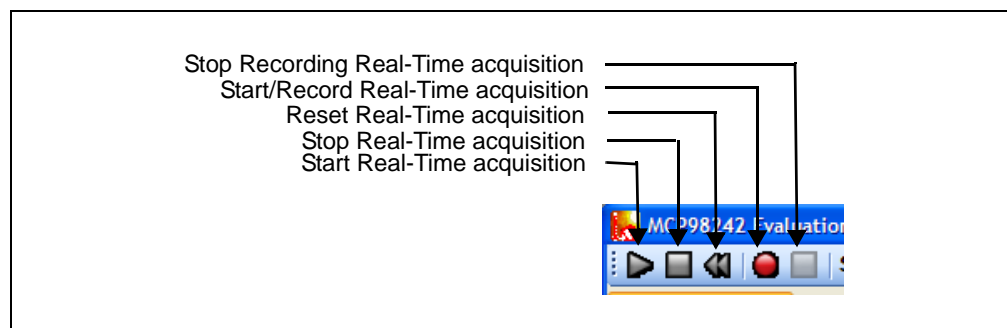


FIGURE 2-3: Real-Time Acquisition.

Thermocouple output is using the compensation equation provided by National Institute of Standards and Technology (NIST ITS-90). The linearization is implemented in the PICmicro microcontroller.

Thermocouple Reference Design

The Data Acquisition charting tool can be customized by double clicking the chart, as shown in Figure 2-4. Additional options are available by right-clicking the chart. The user can also zoom into a specific plot range by clicking and dragging the section. The data in the chart can also be exported using the **Export** button.

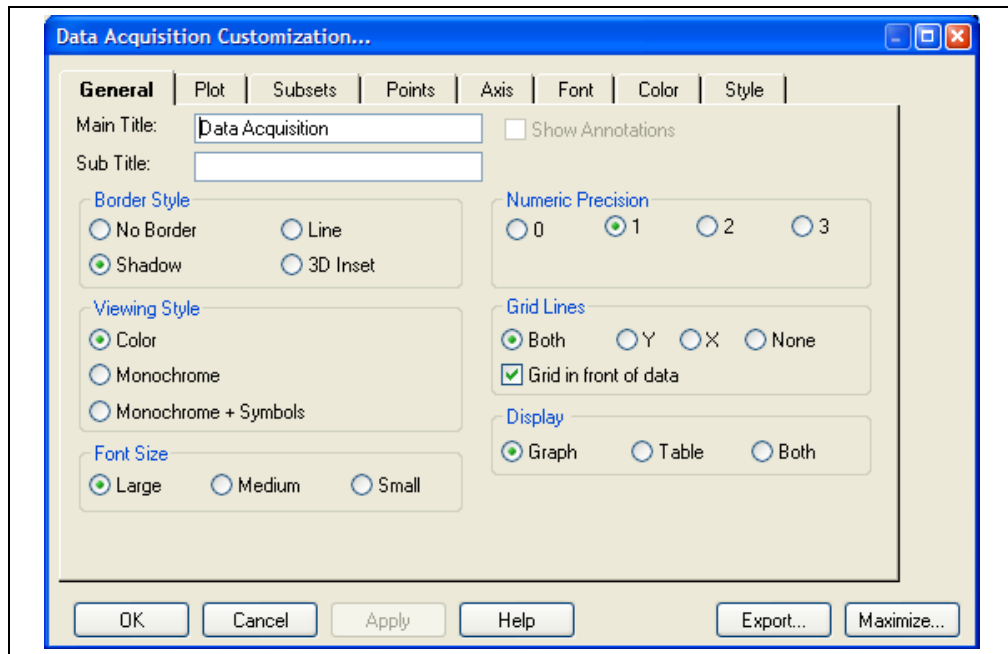


FIGURE 2-4: Chart Setup Options.

2.3.3 Sensor Calibration and Setup

2.3.3.1 THERMOCOUPLE CALIBRATION

The Thermocouple sensor can be calibrated using the GUI. Once the Thermocouple sensor is exposed to the desired calibration temperature, simply type in the temperature in the Calibration Temperature field and click the **Calibrate** button. When the temperature is calibrated and the calibration offset is stored in the PIC Microcontroller EEPROM, the calibration offset is displayed in the RTD Calibration Offset text box. The **Reset** button resets the calibration offset to 0.

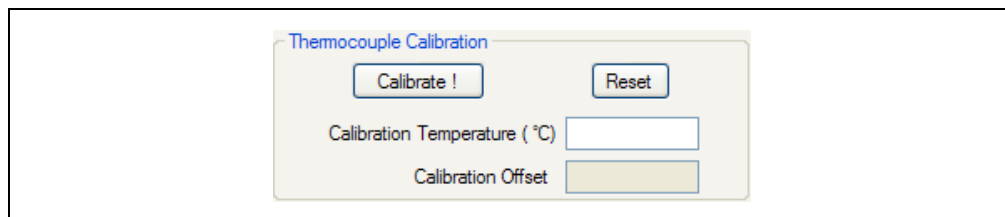


FIGURE 2-5: Sensor Calibration.

2.3.3.2 MCP9804 SETUP

The MCP9804 is a silicon temperature sensor which measures temperature with $\pm 0.25^{\circ}\text{C}$ nominal and $\pm 1^{\circ}\text{C}$ maximum accuracy from -40°C to $+125^{\circ}\text{C}$. This sensor has multiple user programmable features such as Alert Output limits, output hysteresis and mode. The output mode can be set up as comparator or interrupt output with an active high or active low levels. The temperature measurement resolution can also be set up.

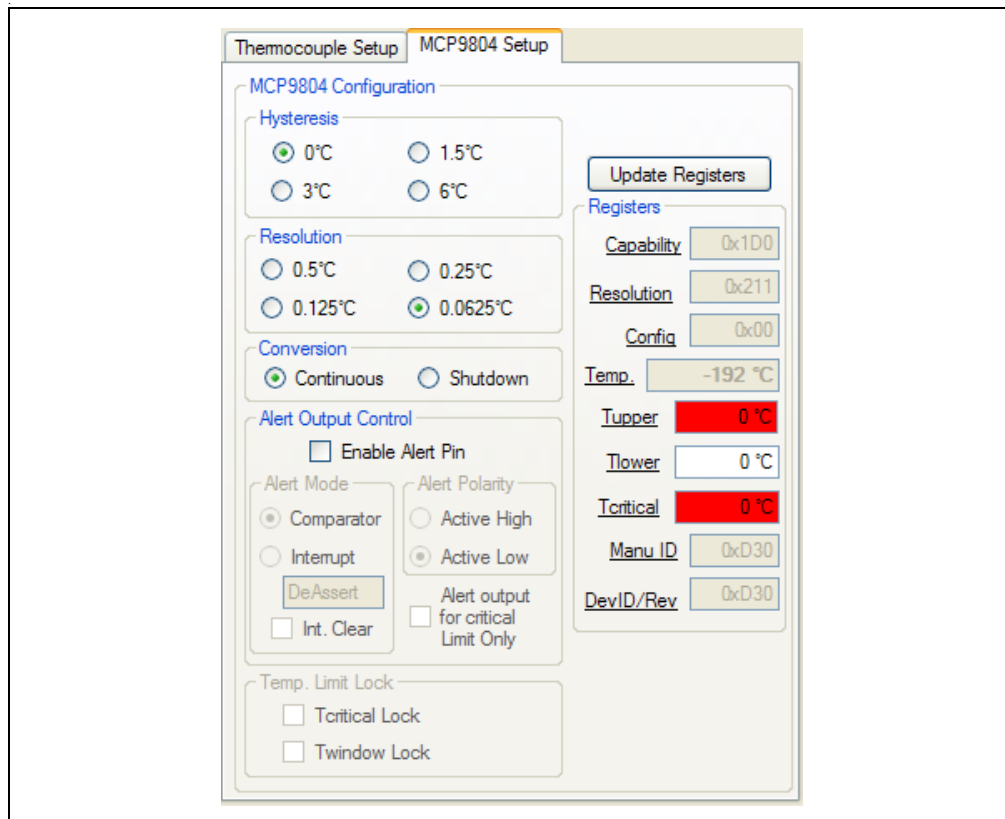


FIGURE 2-6: MCP9804 Setup.

Thermocouple Reference Design

NOTES:

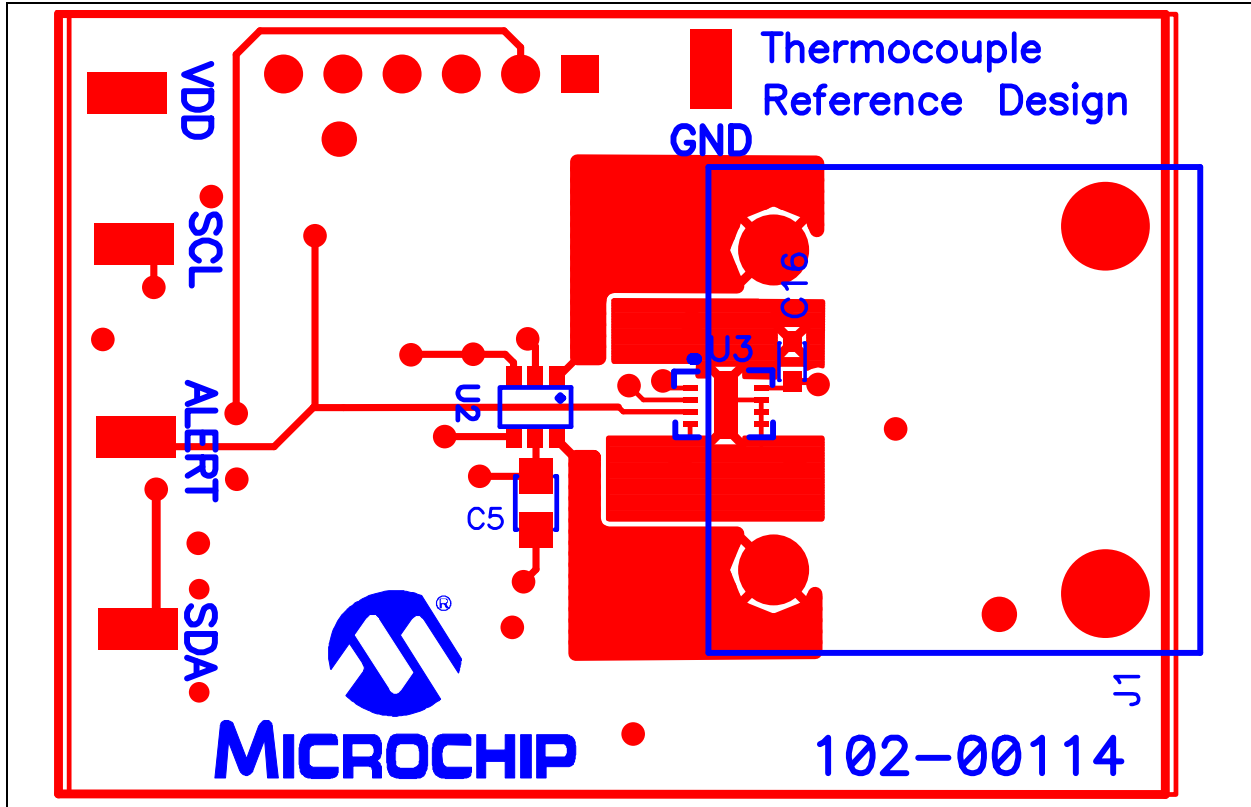
Appendix A. Schematic and Layouts

A.1 INTRODUCTION

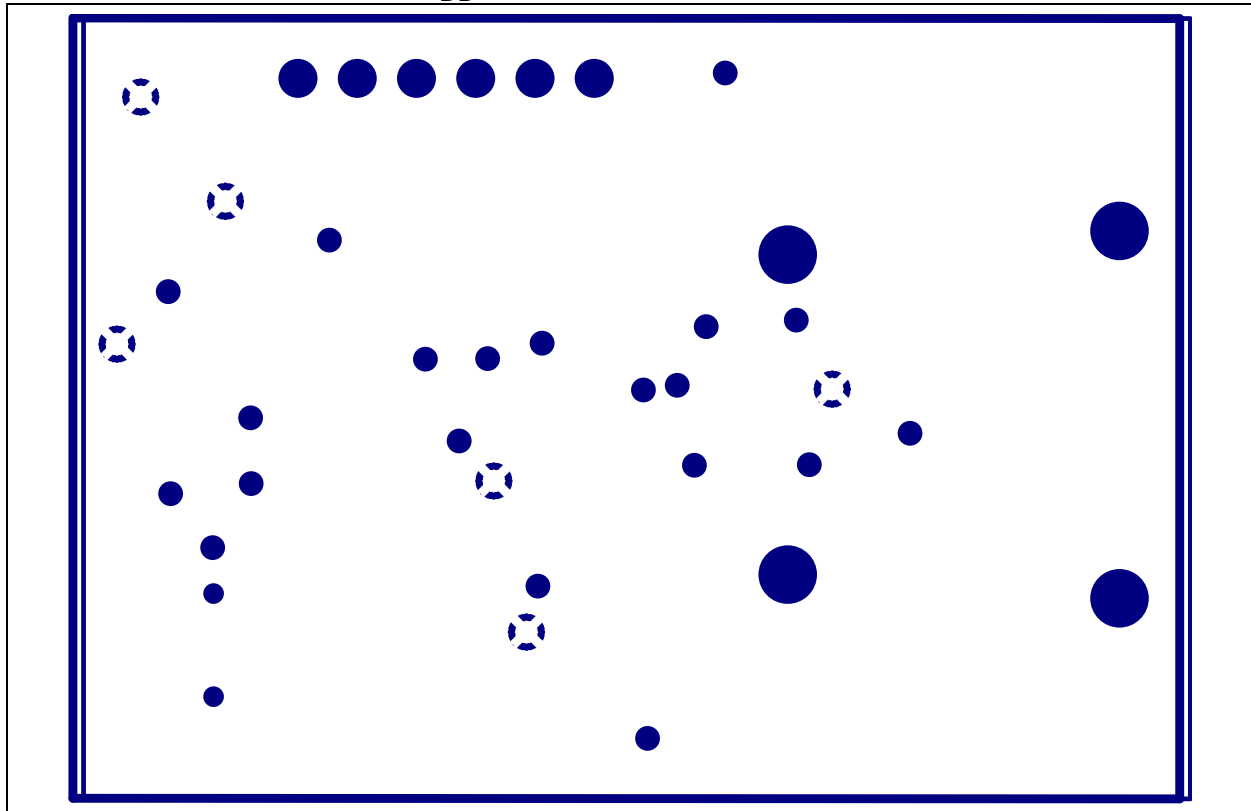
This appendix contains the following schematics and layouts for the Thermocouple Reference Design:

- Board - Schematic
- Board - Top Silk and Pads
- Board - Internal V_{DD} Layer
- Board - Internal Ground Layer
- Board - Bottom Silk and Pads

A.3 BOARD - TOP SILK AND PADS



A.4 BOARD - INTERNAL V_{DD} LAYER



Appendix B. Bill of Materials

TABLE B-1: BILL OF MATERIALS

Qty	Reference Designator	Description	Manufacturer	Manufacturer Part Number
1	—	Ready-Made Insulated Thermocouples with Kapton, PFA, Glass Braid Insulation and Molded Connectors	OMEGA [®]	5SRTC-GG-K-24-36
3	C1, C5, C16	CAP .1UF 25V CERAMIC X7R 0805	Panasonic [®] - ECG	ECJ-2VB1E104K
1	C2	CAP 1.0UF 16V CERAMIC X7R 0805	Kemet [®] Electronics Corp.	C0805C105K4RACTU
2	C3, C4	CAP CER 10UF 16V Y5V 0805	Murata Electronics [®]	GRM21BF51C106ZE15L
1	C10	CAP .47UF 16V CERAMIC X7R 0805	Panasonic - ECG	ECJ-2YB1C474K
2	C14,C15	CAP 22PF 50V CERM CHIP 0805 SMD	Panasonic - ECG	ECJ-2VC1H220J
1	J1	Circuit Board Thermocouple Connectors, Standard PCC-SMP-K-100"	OMEGA	PCC-SMP-K-100
1	J2	CONN MINI USB RCPT RA TYPE B SMD	Tyco [®] Electronics	1734035-2
1	J3	HEADER 1X6 - DO NOT POPULATE	—	—
1	L1	INDUCTOR 10UH 100MA 0805	Murata Electronics	LQM21FN100M70L
1	PCB	RoHS Compliant Bare PCB, Thermocouple Reference Design	Microchip Technology Inc.	104-00114
2	R1, R2	RES 4.99K OHM 1/8W 1% 0805 SMD	Panasonic - ECG	ERJ-6ENF4991V
1	R4	RES 1.0 OHM 1/8W 1% 0805 SMD	Panasonic - ECG	ERJ-6RQF1R0V
1	R6	RES 10.0K OHM 1/8W 1% 0805 SMD	Panasonic - ECG	ERJ-6ENF1002V
7	TP1-TP7	TEST POINT PC COMPACT SMT	Keystone Electronics [®]	5016
1	U1	28/40/44-Pin, High-Performance, Enhanced Flash, USB Microcontrollers with nanoWatt Technology	Microchip Technology Inc.	PIC18F2550-I/SO
1	U2	MCP3421, 18-Bit Analog-to-Digital Converter with I ² C Interface and On-Board Reference	Microchip Technology Inc.	MCP3421A0T-E/OT
1	U3	MCP9804, Memory Module Digital Temperature Sensor	Microchip Technology Inc.	MCP9804T-E/MC
1	Y1	CRYSTAL 20.0000 MHZ SERIES SMT	CTS-Frequency Controls	ATS200SM

Note 1: The components listed in this Bill of Materials are representative of the PCB assembly. The released BOM used in manufacturing uses all RoHS-compliant components.



WORLDWIDE SALES AND SERVICE

AMERICAS

Corporate Office
2355 West Chandler Blvd.
Chandler, AZ 85224-6199
Tel: 480-792-7200
Fax: 480-792-7277
Technical Support:
<http://support.microchip.com>
Web Address:
www.microchip.com

Atlanta
Duluth, GA
Tel: 678-957-9614
Fax: 678-957-1455

Boston
Westborough, MA
Tel: 774-760-0087
Fax: 774-760-0088

Chicago
Itasca, IL
Tel: 630-285-0071
Fax: 630-285-0075

Cleveland
Independence, OH
Tel: 216-447-0464
Fax: 216-447-0643

Dallas
Addison, TX
Tel: 972-818-7423
Fax: 972-818-2924

Detroit
Farmington Hills, MI
Tel: 248-538-2250
Fax: 248-538-2260

Kokomo
Kokomo, IN
Tel: 765-864-8360
Fax: 765-864-8387

Los Angeles
Mission Viejo, CA
Tel: 949-462-9523
Fax: 949-462-9608

Santa Clara
Santa Clara, CA
Tel: 408-961-6444
Fax: 408-961-6445

Toronto
Mississauga, Ontario,
Canada
Tel: 905-673-0699
Fax: 905-673-6509

ASIA/PACIFIC

Asia Pacific Office
Suites 3707-14, 37th Floor
Tower 6, The Gateway
Harbour City, Kowloon
Hong Kong
Tel: 852-2401-1200
Fax: 852-2401-3431

Australia - Sydney
Tel: 61-2-9868-6733
Fax: 61-2-9868-6755

China - Beijing
Tel: 86-10-8528-2100
Fax: 86-10-8528-2104

China - Chengdu
Tel: 86-28-8665-5511
Fax: 86-28-8665-7889

China - Chongqing
Tel: 86-23-8980-9588
Fax: 86-23-8980-9500

China - Hong Kong SAR
Tel: 852-2401-1200
Fax: 852-2401-3431

China - Nanjing
Tel: 86-25-8473-2460
Fax: 86-25-8473-2470

China - Qingdao
Tel: 86-532-8502-7355
Fax: 86-532-8502-7205

China - Shanghai
Tel: 86-21-5407-5533
Fax: 86-21-5407-5066

China - Shenyang
Tel: 86-24-2334-2829
Fax: 86-24-2334-2393

China - Shenzhen
Tel: 86-755-8203-2660
Fax: 86-755-8203-1760

China - Wuhan
Tel: 86-27-5980-5300
Fax: 86-27-5980-5118

China - Xian
Tel: 86-29-8833-7252
Fax: 86-29-8833-7256

China - Xiamen
Tel: 86-592-2388138
Fax: 86-592-2388130

China - Zhuhai
Tel: 86-756-3210040
Fax: 86-756-3210049

ASIA/PACIFIC

India - Bangalore
Tel: 91-80-3090-4444
Fax: 91-80-3090-4080

India - New Delhi
Tel: 91-11-4160-8631
Fax: 91-11-4160-8632

India - Pune
Tel: 91-20-2566-1512
Fax: 91-20-2566-1513

Japan - Yokohama
Tel: 81-45-471- 6166
Fax: 81-45-471-6122

Korea - Daegu
Tel: 82-53-744-4301
Fax: 82-53-744-4302

Korea - Seoul
Tel: 82-2-554-7200
Fax: 82-2-558-5932 or
82-2-558-5934

Malaysia - Kuala Lumpur
Tel: 60-3-6201-9857
Fax: 60-3-6201-9859

Malaysia - Penang
Tel: 60-4-227-8870
Fax: 60-4-227-4068

Philippines - Manila
Tel: 63-2-634-9065
Fax: 63-2-634-9069

Singapore
Tel: 65-6334-8870
Fax: 65-6334-8850

Taiwan - Hsin Chu
Tel: 886-3-6578-300
Fax: 886-3-6578-370

Taiwan - Kaohsiung
Tel: 886-7-536-4818
Fax: 886-7-536-4803

Taiwan - Taipei
Tel: 886-2-2500-6610
Fax: 886-2-2508-0102

Thailand - Bangkok
Tel: 66-2-694-1351
Fax: 66-2-694-1350

EUROPE

Austria - Wels
Tel: 43-7242-2244-39
Fax: 43-7242-2244-393

Denmark - Copenhagen
Tel: 45-4450-2828
Fax: 45-4485-2829

France - Paris
Tel: 33-1-69-53-63-20
Fax: 33-1-69-30-90-79

Germany - Munich
Tel: 49-89-627-144-0
Fax: 49-89-627-144-44

Italy - Milan
Tel: 39-0331-742611
Fax: 39-0331-466781

Netherlands - Drunen
Tel: 31-416-690399
Fax: 31-416-690340

Spain - Madrid
Tel: 34-91-708-08-90
Fax: 34-91-708-08-91

UK - Wokingham
Tel: 44-118-921-5869
Fax: 44-118-921-5820