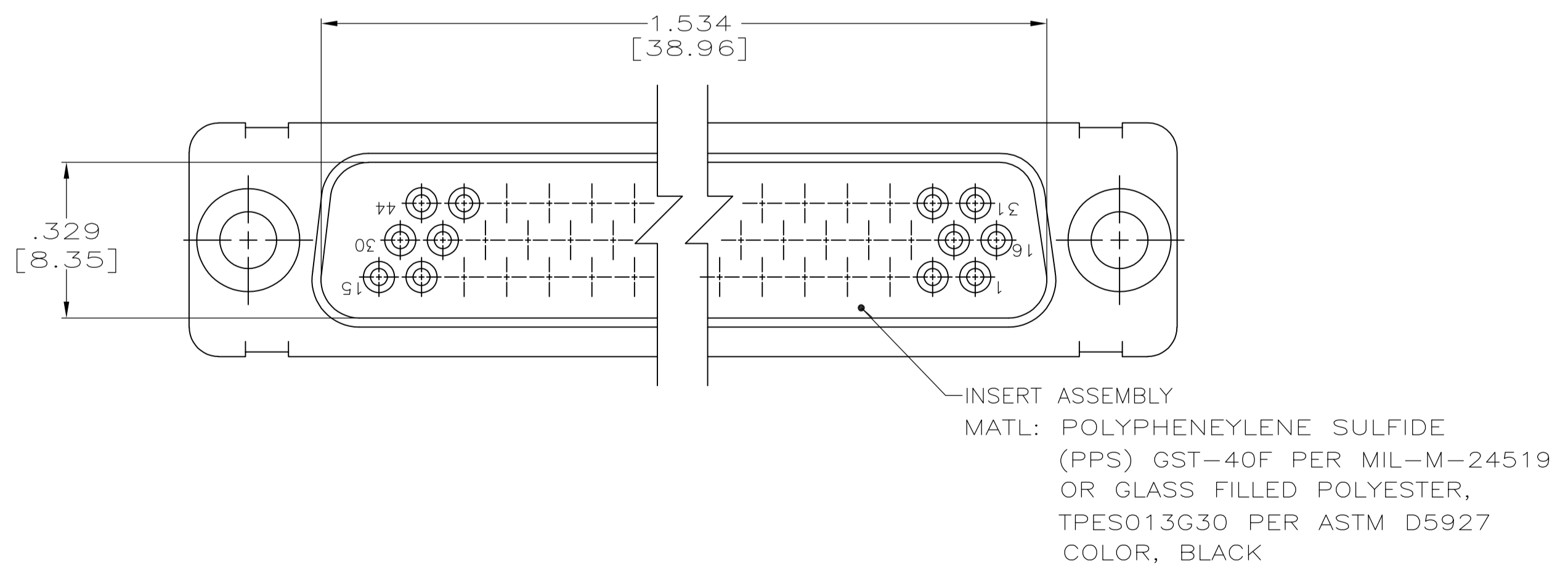
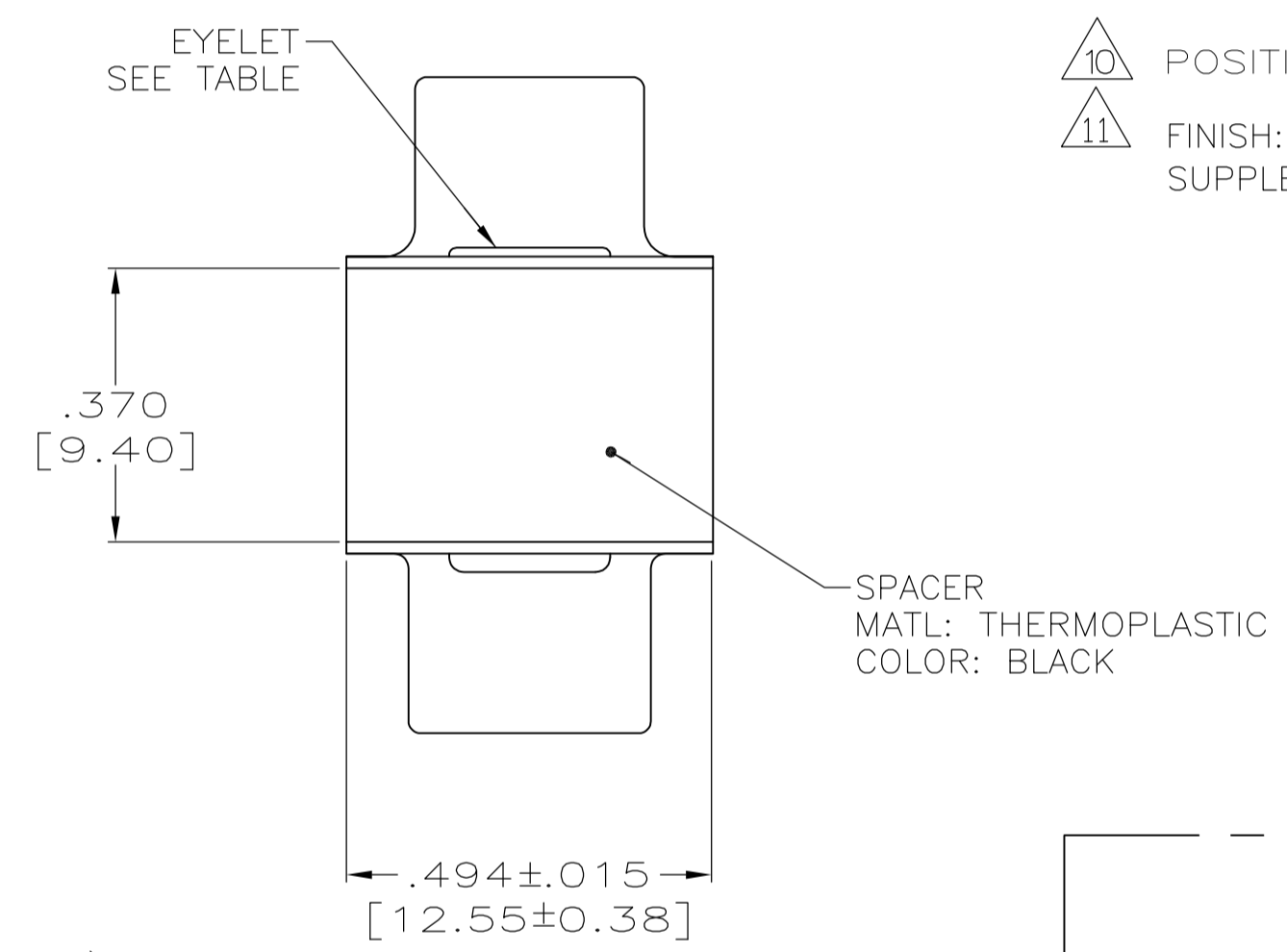
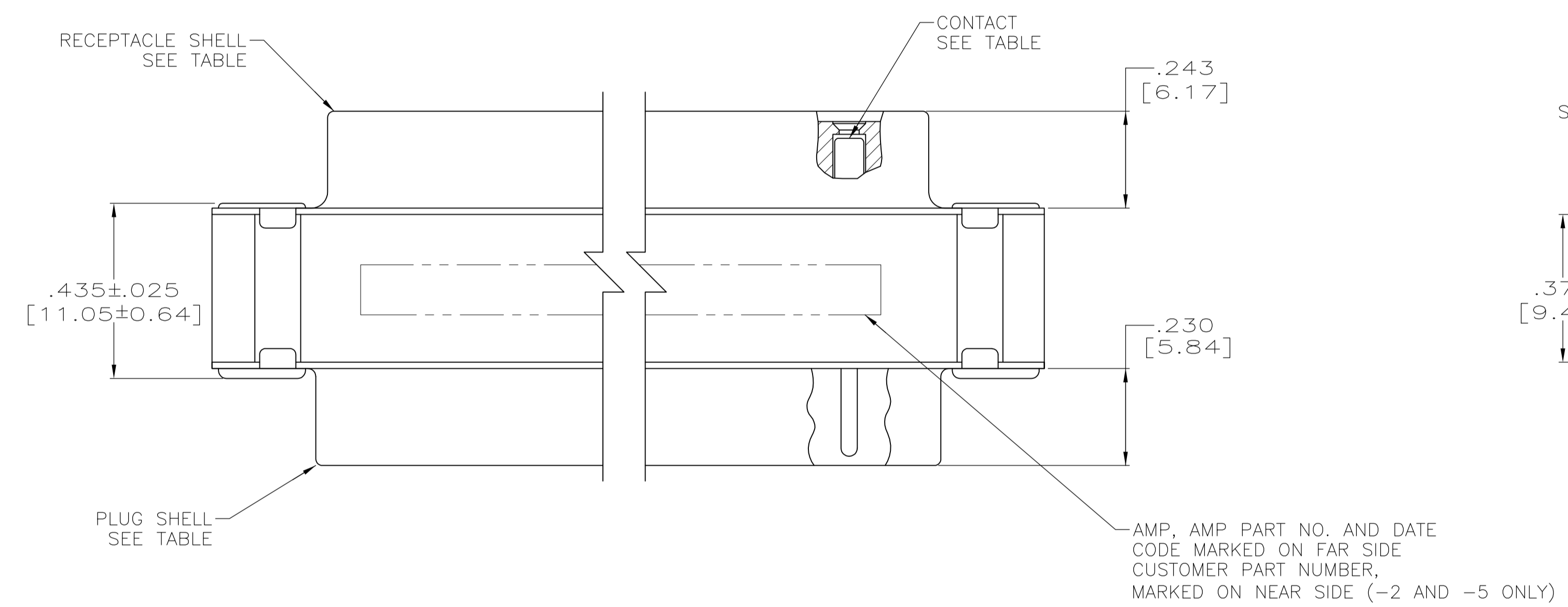
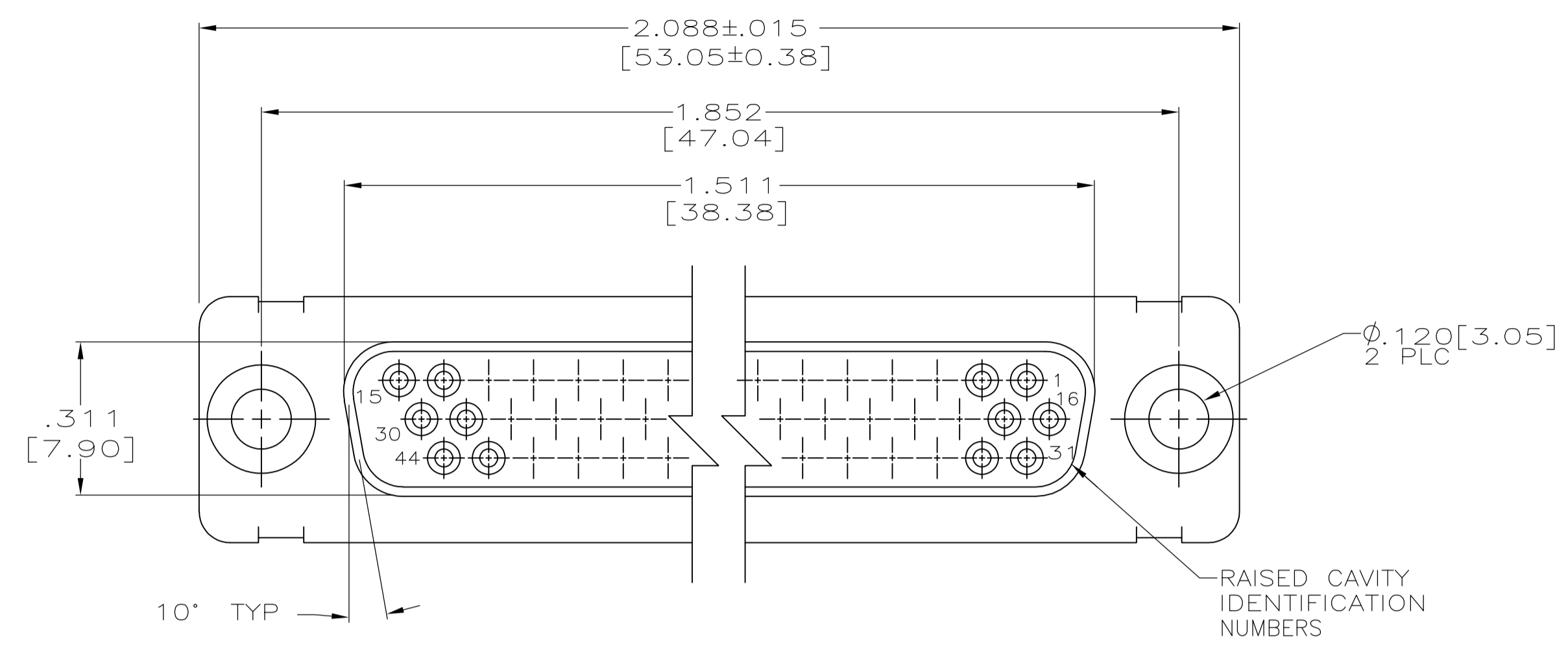
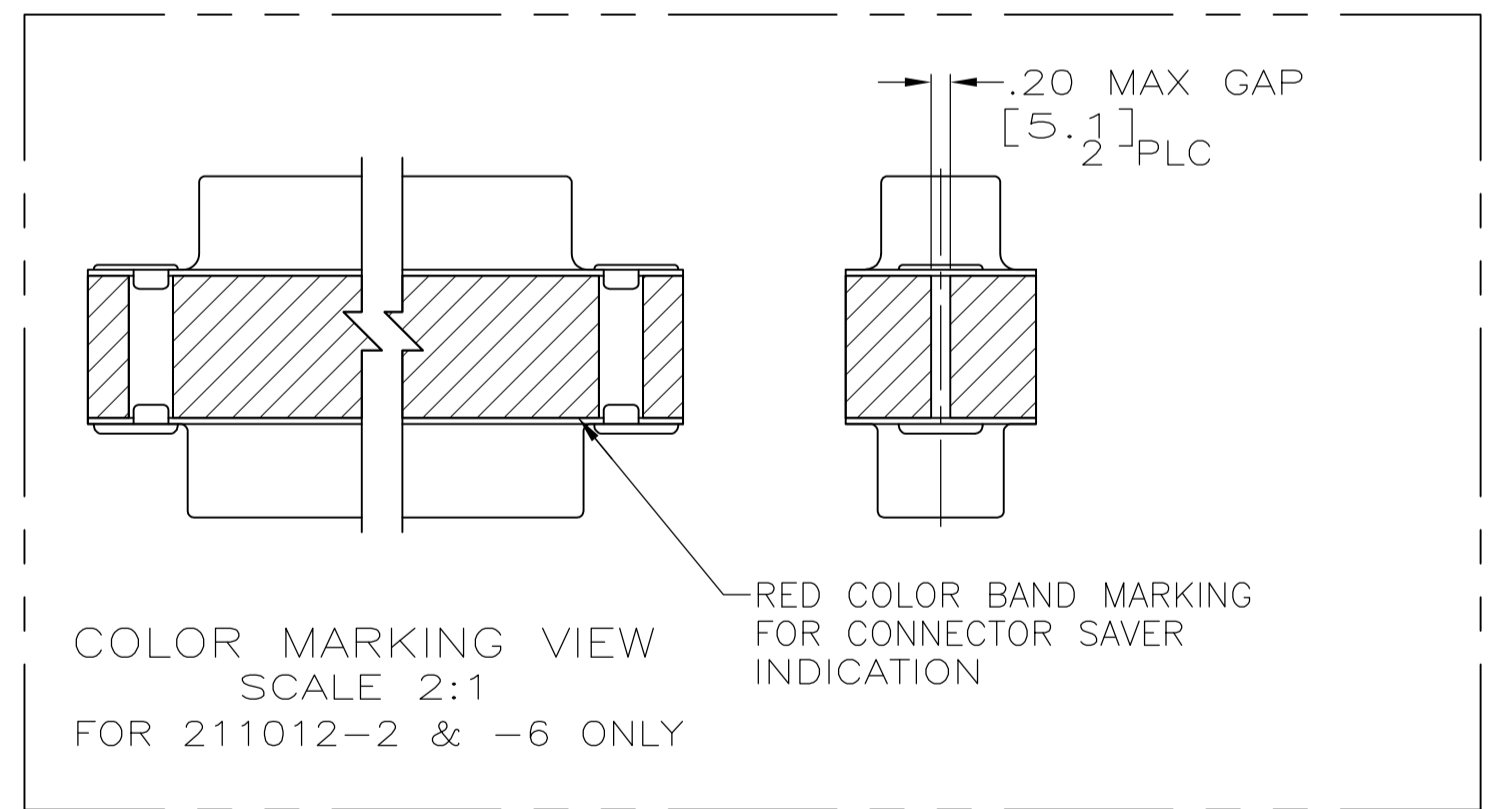


REVISONS		DATE	BY	APPV
NO.	DESCRIPTION			
AA	REV PER ECO 13-001184	1-29-13	CT	RL



- CONTACTS INCLUDED IN ASSEMBLY.
- MATL: STEEL, PER ASTM-A-109.
- FINISH: CADMIUM PER QQ-P-416.
- MATL: BRASS PER ASTM-B-36.
- FINISH: PLATED ZINC .00020 MIN THK PER ASTM-B-633. YELLOW CHROMATE FINISH.
- CONTACT
 BODY MAT'L: BERYLLIUM COPPER PER ASTM-B-197.
 BODY FINISH: PLATED GOLD, .000050 MIN THK PER MIL-G-45204 OVER NICKEL, .000050 MIN THK PER QQ-N-290.
 HOOD MAT'L: STAINLESS STEEL PER ASTM-A-240.
 HOOD FINISH: PASSIVATED PER QQ-P-35.
- FINISH: PLATED GOLD, .000050 MIN THK PER MIL-G-45204 OVER COPPER FLASH.
- FINISH: PLATED GOLD, .000050 MIN THK PER MIL-G-45204 OVER COPPER, .000100 MIN THK PER MIL-C-14550.
- CONTACT
 BODY MAT'L: BERYLLIUM COPPER PER ASTM-B-197.
 BODY FINISH: PLATED GOLD, .000050 MIN THK PER MIL-G-45204 OVER COPPER, .000100 MIN THK PER MIL-C-14550.
 HOOD MAT'L: COPPER ALLOY PER QQ-B-613.
 FINISH: PLATED GOLD, .000050 MIN THK PER MIL-G-45204 OVER COPPER, .000100 MIN THK PER MIL-C-14550.
- POSITIONS 37 & 38 DO NOT HAVE A CONTACT OR CLIP LOADED.
- FINISH: PLATED ZINC PER ASTM-B-633 .000200 MIN THK WITH SUPPLEMENTARY CHROMATE (Cr3+).



OBSOLETE

△10	△4 △11	△11	△6	-	5-211012-7
△10	△4 △5	△3	△6	-	211012-7
-	△4 △8	△4	△6	4U884 SOCN R10002677-0108	211012-6
-	△4 △8	△4	△6	2A091-003W-001	211012-5
-	△4 △8	△4	△6	-	211012-4
-	-	-	-	-	211012-3
-	△4 △8	△4	△6	(1J02-108)	211012-2
-	△4 △8	△4	△6	-	211012-1
CONTACT	EYELET	SHELLS	CONTACT	CUSTOMER P/N	PART NO.

THIS DRAWING IS A CONTROLLED DOCUMENT.

DIMENSIONS: INCHES	TOLERANCES UNLESS OTHERWISE SPECIFIED:	DIN C.C.THOMAS 11-3-98	APV J.NORTON 11-17-98	NAME
0 PLC ± -	1 PLC ± -	2 PLC ± -	3 PLC ± .005 [0.13]	4 PLC ± -
ANGLES ± -				
MATERIAL	FINISH	WEIGHT	SIZE	CAGE CODE
			A1	00779
CUSTOMER DRAWING		SCALE	SHEET	REV
		4:1	1 OF 1	AA

STE TE Connectivity
 CONNECTOR SAVER,AMPLIMITE 44 POSN,SIZE 3,SERIES 90