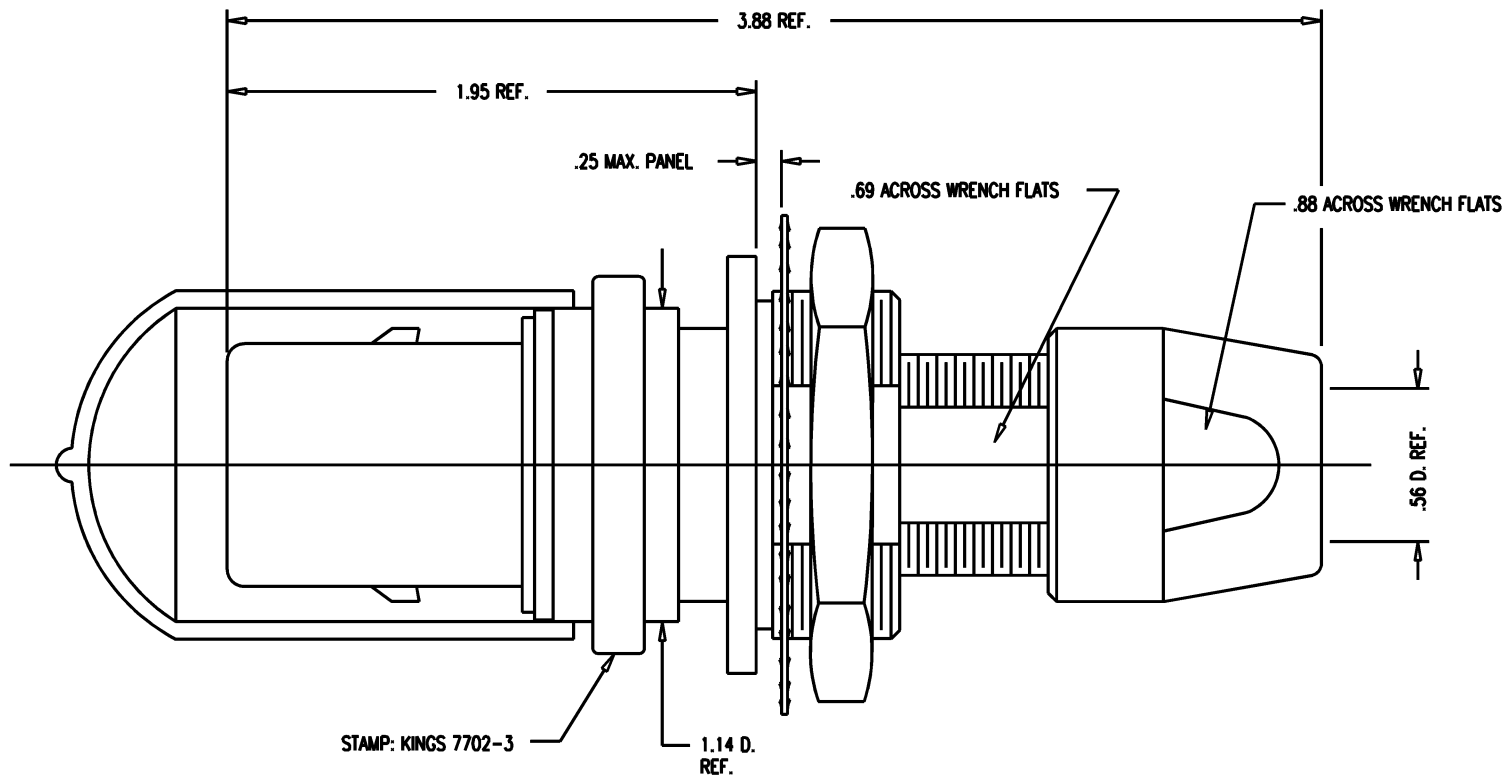


DASH NO.	M CODE	MADE FROM
----------	--------	-----------

# GSD

7702-3

REVISIONS	
ISSUE	CHANGES
0	ER 35429 KH 04/17/95
1	CN 36678 A KH 11/07/95



# GSD

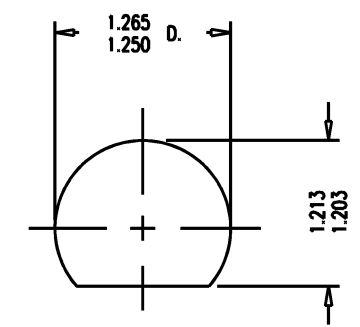
KAM5553

SCALE 2:1
APPROX SURFACE AREA
USED ON
REF: KP-8012-747-400
PL, BKHD, TRI-LOC SERIAL DIGITAL
DRAWN KH 04/17/95
DESIGN DW 04/18/95
APPR. DATE
<b>KINGS</b> ELECTRONICS CO., INC. TUCKAHOE, NEW YORK 10707

**NOTES:**

- FOR USE WITH 740 CABLE GROUP.
- FOR CABLING INSTRUCTIONS SEE KAI-8010.
- FOR CRIMPING USE DIE SIZE KTH-2041.
- MATERIALS:  
INSULATORS: TEFLON, ASTM-D-4894  
LOCKWASHER: SPRING STEEL, PER ASTM-A682  
CONDUCTIVE GASKET: CONSIL C 87-10004, 60-70 DUROMETER  
GASKETS: SILICONE RUBBER, ZZ-R-765  
CAP: VINYL  
K-GRIP SLEEVE: COM'L BRONZE, ASTM-B-140  
OUTER CONTACT: PHOSPHOR BRONZE, ASTM-B-103  
BODY: BER. COPPER, ASTM-B-196  
ALL OTHER METAL PARTS: BRASS, ASTM-B16

- FINISHES:  
CENTER CONTACT: GOLD PLATE PER MIL-G-45204  
LOCKWASHER  
NUTS  
COLLET  
OUTER BODIES  
BODY RING  
ALL OTHER METAL PARTS: SILVER PLATE PER QQ-S-365  
KINGS TARNISH RESISTANT NICKEL FINISH (TR-5)
- ELECTRICAL CHARACTERISTICS:  
NOMINAL IMPEDANCE: 75 ~W  
FREQUENCY RANGE: DC-500 MHZ  
VOLTAGE BREAKDOWN: CENTER CONDUCTOR/INNER GROUND: 1500 VRMS  
INNER GROUND/OUTER GROUND: 500 VRMS



MOUNTING HOLE

7702-3