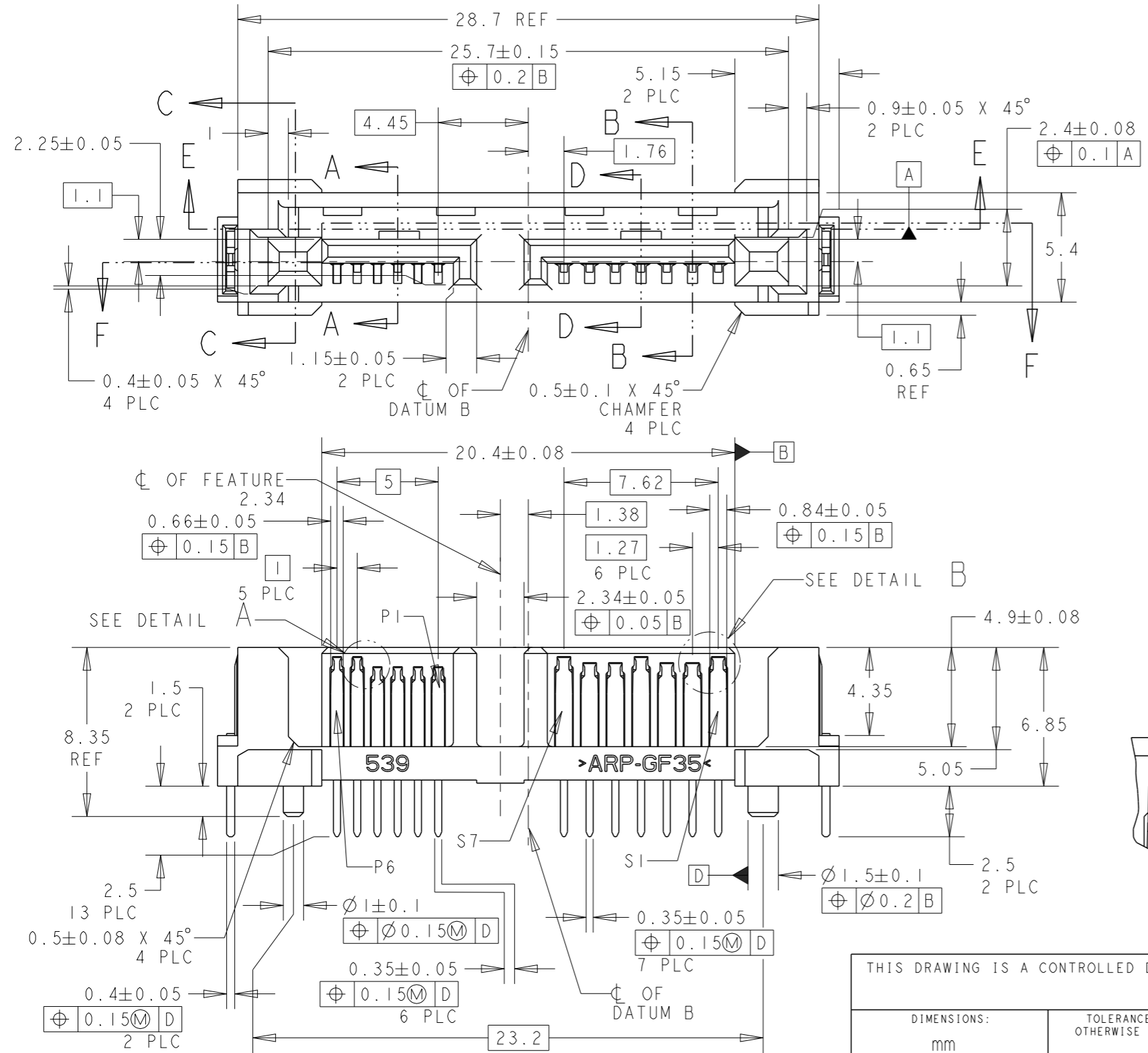
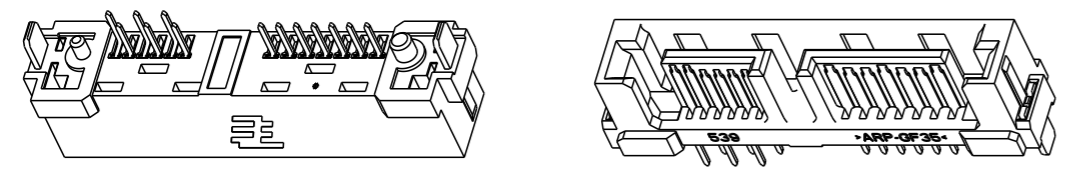
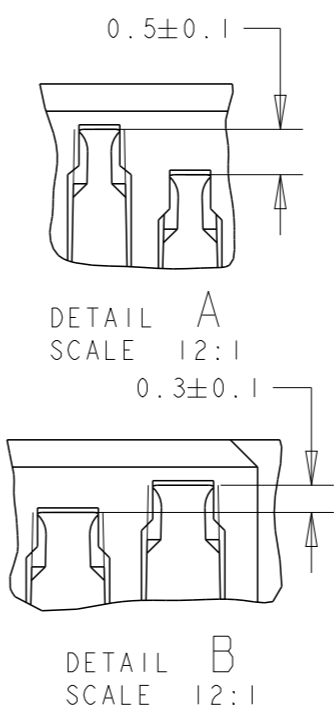
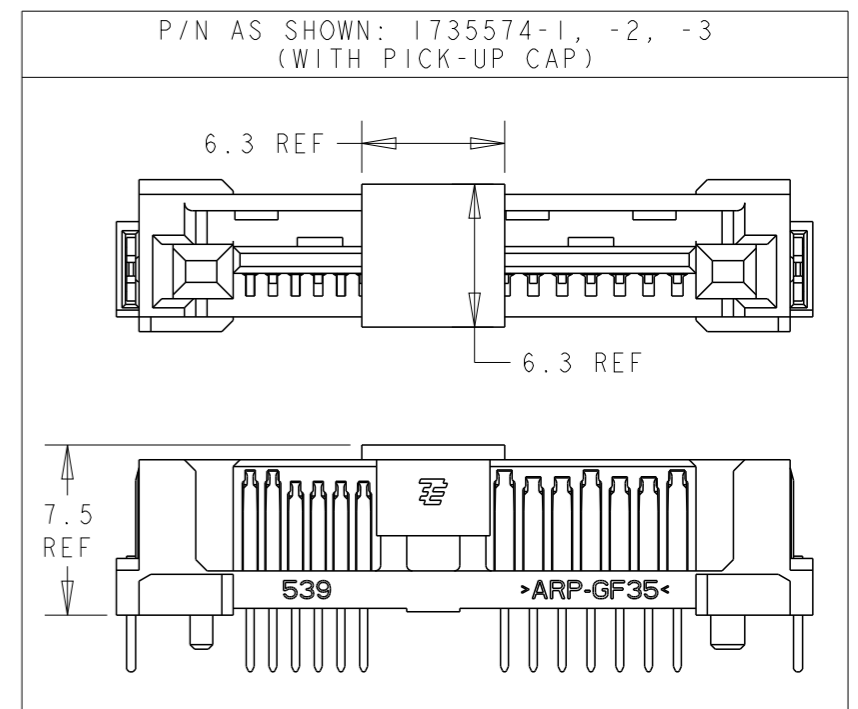
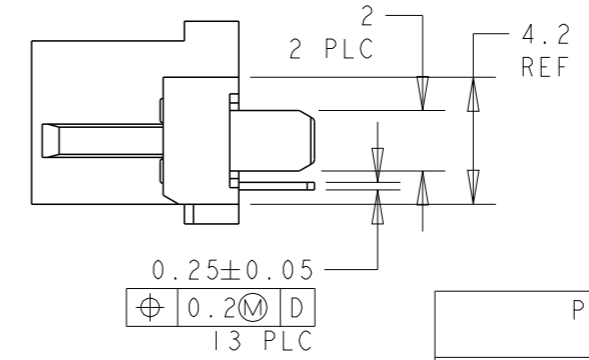


THIS DRAWING IS UNPUBLISHED. RELEASED FOR PUBLICATION 20
 © COPYRIGHT 20 BY - ALL RIGHTS RESERVED.

LOC		DIST		REVISIONS			
P	LTR	DESCRIPTION	DATE	DWN	APVD		
DY	-	A3	REVISED (ECR-13-001920)	02JUL2013	B.W	H.K	



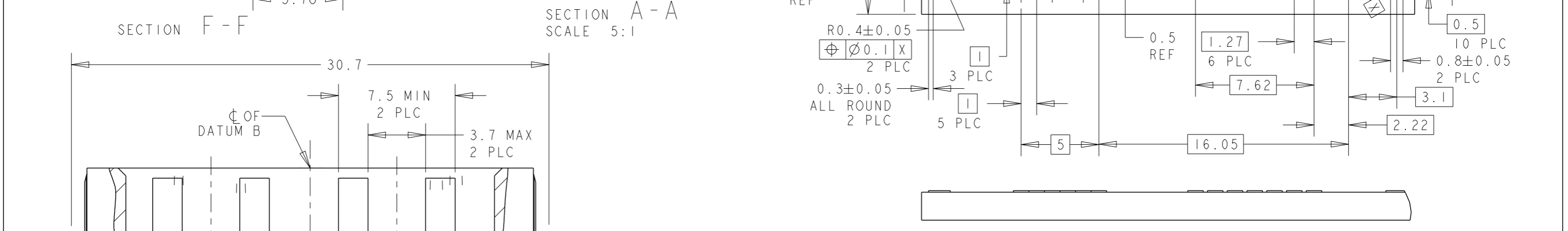
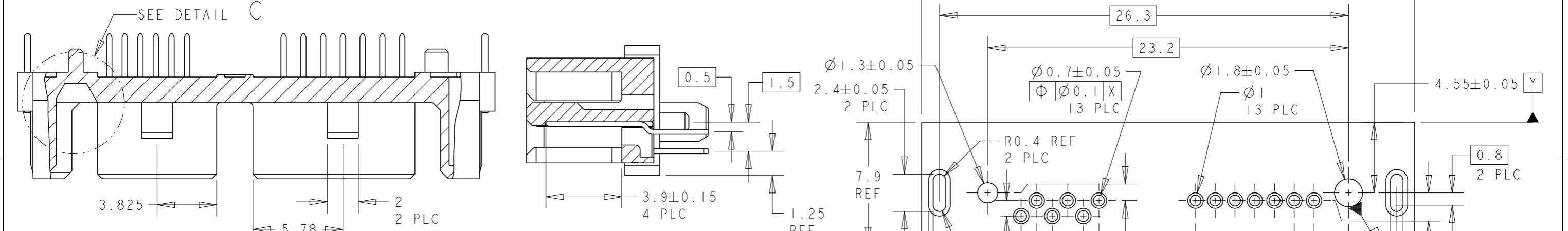
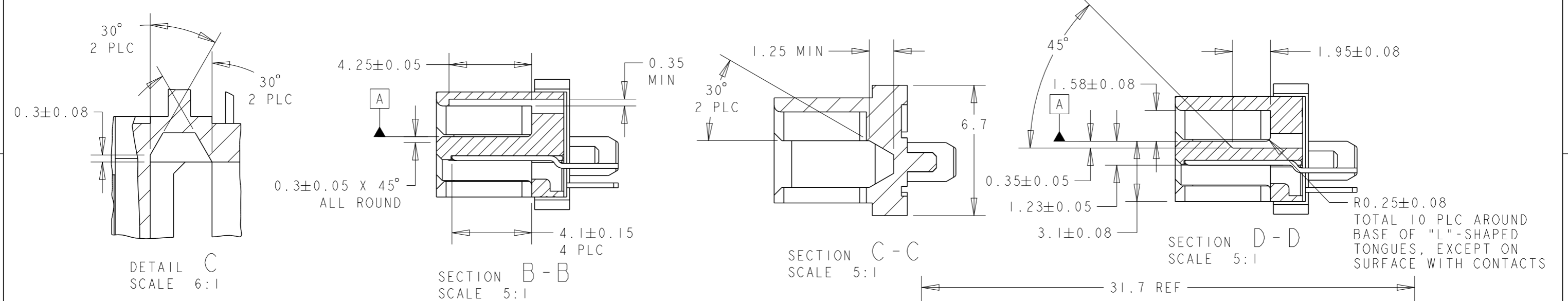
NOTES:
 1 MATERIAL:
 HOUSING: HIGH TEMP THERMOPLASTIC, UL94 V-0, BLACK
 CONTACT: COPPER ALLOY
 SOLDER PEG: COPPER ALLOY
 2 FINISH:
 CONTACT: "A" MIN GOLD PLATING AT MATING SIDE AND 0.05µm MIN GOLD PLATING AT SOLDER TAIL, WITH 1.27µm MIN NICKEL UNDERPLATING ALL OVER
 SOLDER PEG: 2.54µm MIN TIN PLATING AT SOLDERING SURFACE WITH 1.27µm MIN NICKEL UNDERPLATING ALL OVER



	0.76µm	1735574-3
	0.38µm	1735574-2
OBSOLETE	0.05µm	1735574-1
	"A"	PART NO.

THIS DRAWING IS A CONTROLLED DOCUMENT.		DWN	KW YAP	12MAY2008	 TE Connectivity	NAME			
DIMENSIONS:		CHK	SF LEONG	02JUL2013		-		ASSEMBLY SLIMLINE SATA PLUG 7P+6P	
mm		APVD	SF LEONG	02JUL2013		-		VERTICAL, THRU-HOLE	
TOLERANCES UNLESS OTHERWISE SPECIFIED:		PRODUCT SPEC				SIZE	CAGE CODE	DRAWING NO	RESTRICTED TO
0 PLC	±0.2	APPLICATION SPEC			A3	00779	C-1735574	-	
1 PLC	±0.2				CUSTOMER DRAWING		SCALE	4:1	
2 PLC	±0.2						SHEET	1 OF 3	
3 PLC	±0.2						REV	A3	
4 PLC	±0.2								
ANGLES	±°								
MATERIAL	FINISH								
1	2								

LOC DY	DIST -	REVISIONS					
		P	LTR	DESCRIPTION	DATE	DWN	APVD
				SEE SHEET 1			

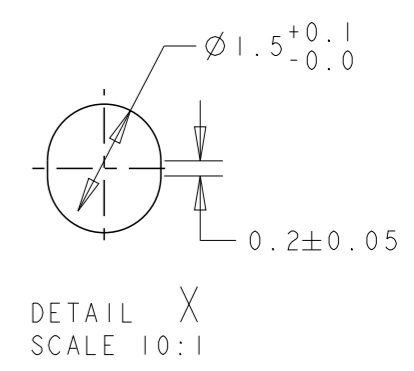
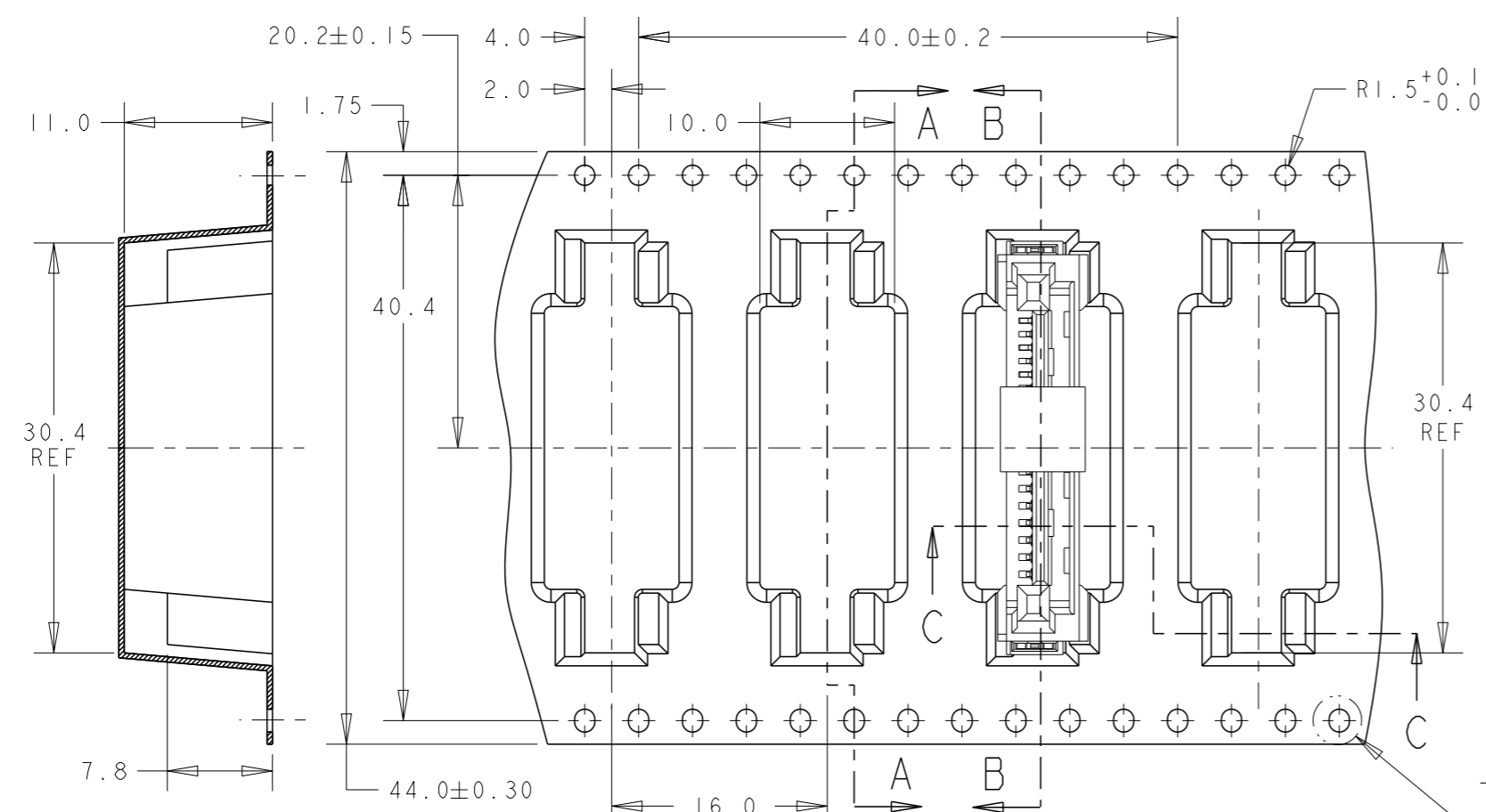


RECOMMENDED PCB LAYOUT

THIS DRAWING IS A CONTROLLED DOCUMENT.		DWN KW YAP	12MAY2008	TE Connectivity	
		CHK SF LEONG	02JUL2013		
DIMENSIONS: mm		APVD SF LEONG	02JUL2013	NAME -	
TOLERANCES UNLESS OTHERWISE SPECIFIED:		PRODUCT SPEC		APPLICATION SPEC	
0 PLC ±0.2 1 PLC ±0.2 2 PLC ±0.2 3 PLC ±0.2 4 PLC ±0.2 ANGLES ±° FINISH -2		WEIGHT -		SIZE A3	
MATERIAL 1		CUSTOMER DRAWING		CAGE CODE 00779	
		DRAWING NO 1735574		RESTRICTED TO -	
		SCALE 4:1		SHEET 2 OF 3 REV A3	

THIS DRAWING IS UNPUBLISHED. RELEASED FOR PUBLICATION 20
 © COPYRIGHT 20 BY - ALL RIGHTS RESERVED.

LOC	DIST	REVISIONS					
DY	-	P	LTR	DESCRIPTION	DATE	DWN	APVD
				SEE SHEET 1			

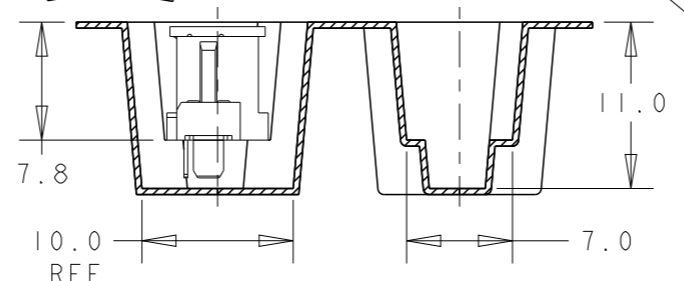


SECTION B-B
(WITH & W/O PART)

0.50±0.05
(BEFORE FORMING)

SEE DETAIL X

CUSTOMER DE-REEL DIRECTION



SECTION C-C

WIND COVER TAPE
AROUND OUTER
PERIPHERY 1 TURN

LEADER LENGTH
450mm
(W/O CHARGE)

WITH PRODUCT CHARGE

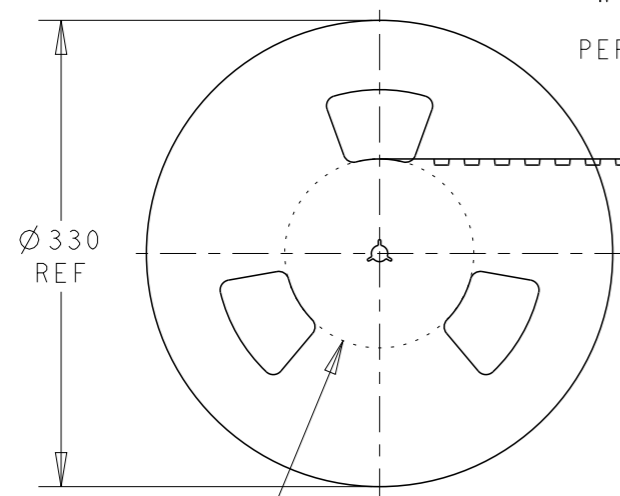
TRAILER LENGTH
400mm
(W/O CHARGE)

NOTES:

- ALL DIMENSIONS IN MM UNLESS OTHERWISE STATED
- MATERIAL: PS CLEAR, 0.5±0.05mm THICKNESS (BEFORE FORMING)
- DELIVER IN PLASTIC REEL: 375 POCKETS/REEL (300 COMPONENTS/REEL)

PEELING STRENGTH: 0.2N TO 0.7N
 PEELING ANGLE: 165° TO 180°
 PEELING SPEED: 300mm/MINUTE

50.0 REF
46.0 REF



THIS DRAWING IS A CONTROLLED DOCUMENT.

DIMENSIONS: mm	TOLERANCES UNLESS OTHERWISE SPECIFIED:
	0 PLC ±0.2
	1 PLC ±0.2
	2 PLC ±0.2
	3 PLC ±0.2
	4 PLC ±-
	ANGLES ±2°
MATERIAL	FINISH -

DWN	KW YAP	12MAY2008
CHK	SF LEONG	02JUL2013
APVD	SF LEONG	02JUL2013
PRODUCT SPEC		
APPLICATION SPEC		
WEIGHT		
CUSTOMER DRAWING		



NAME			
ASSEMBLY SLIMLINE SATA PLUG 7P+6P VERTICAL, THRU-HOLE			
SIZE	CAGE CODE	DRAWING NO	RESTRICTED TO
A3	00779	C-1735574	-
SCALE 4:1		SHEET 3 OF 3	REV A3