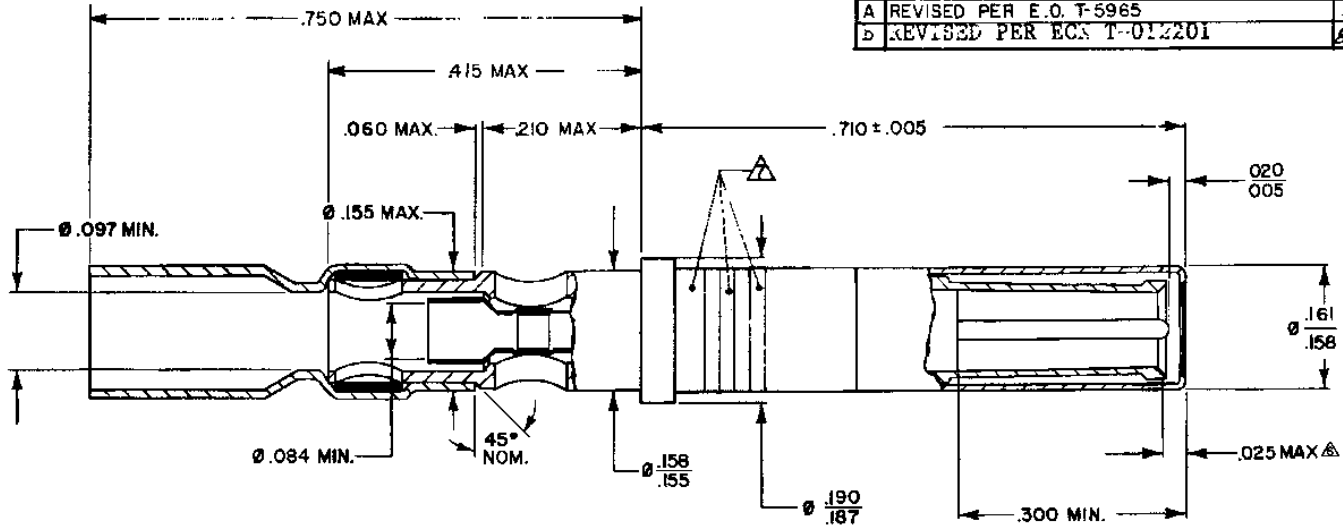


REVISIONS		DATE	APPROVED
—	RELEASED PER E.O. D-3036	2/28/85	3.5
A	REVISED PER E.O. T-5985	1/22/86	
D	REVISED PER E.O. T-012201	8/7/91	H. B. H. H.



NOTES:

1. THIS CONTACT IS DESIGNED FOR USE IN DOD-C-83527 RACK AND PANEL CONNECTORS.
 2. THIS CONTACT IS DESIGNED TO TERMINATE THE CABLES IN THE TABLE
 3. INSERTION-EXTRACTION TOOL: MIL-I-81969/14-04.
 4. FOR TERMINATION PROCEDURES SEE RAYCHEM SPECIFICATION ES 61236
 5. MATING CONTACT (FOR SIMILAR CABLES): D-602-0094
- △ POINT AT WHICH A SQUARE ENDED $\varnothing.0930 \pm .0025$ PIN FIRST ENGAGES THE OUTER SPRING CONTACT.

CABLES ACCOMMODATED	
RG CABLE	RAYCHEM CABLE
RG 174 U	5024 AIXIX
RG 178 B/U	7528 AIXIX
RG 179 B/U	9530 AIXIX
RG 316 U	9532 AIXIX

REQUIREMENTS:

- a. CONTACT MATERIAL: COPPER ALLOY, PER QQ-B-626 & QQ-C-530.
- b. INSULATOR MATERIAL: FLUOROPOLYMER.
- c. PLATING: GOLD PER MIL-G-45204, NICKEL, PER QQ-N-290, OVER COPPER.
3. MAXIMUM OPERATING TEMPERATURE 125°C.
4. PERFORMANCE REQUIREMENTS PER MIL-C-39029 EXCEPT AS FOLLOWS:
 - a. DIELECTRIC WITHSTANDING VOLTAGE: 900 VOLTS RMS MINIMUM.
 - b. INSULATION RESISTANCE: 5000 MEGOHMS MINIMUM.
 - c. ENGAGEMENT FORCE, OUTER SOCKET: 30 oz. MAXIMUM.
 - d. SEPARATION FORCE, OUTER SOCKET: 3.0 oz. MINIMUM.

△ BIN CODE GREEN GREEN GREEN

If this document is printed it becomes uncontrolled.
Check for the latest revision.

SPECIFICATION CONTROL DRAWING

DRAWN	CERDAN	05 FEB. 85	 <small>TYCO Electronics Corporation 2500 Commonwealth Drive Melb Park, CA 94029 USA</small>	Raychem
CHECKED				TITLE
APPROVED	3.5	1.15.85	CONTACT, COAXIAL SOCKET	
APPROVED				
<small>UNLESS OTHERWISE SPECIFIED DIMENSIONS ARE IN INCHES METRIC DIMENSIONS ARE IN PARENTHESES</small>			SIZE	CODE IDENT NO
<small>DO NOT SCALE THIS DRAWING</small>			C	06090
			DWG NO	D-602-0093
			WEIGHT	SHEET
				OF