

5

4

3

2

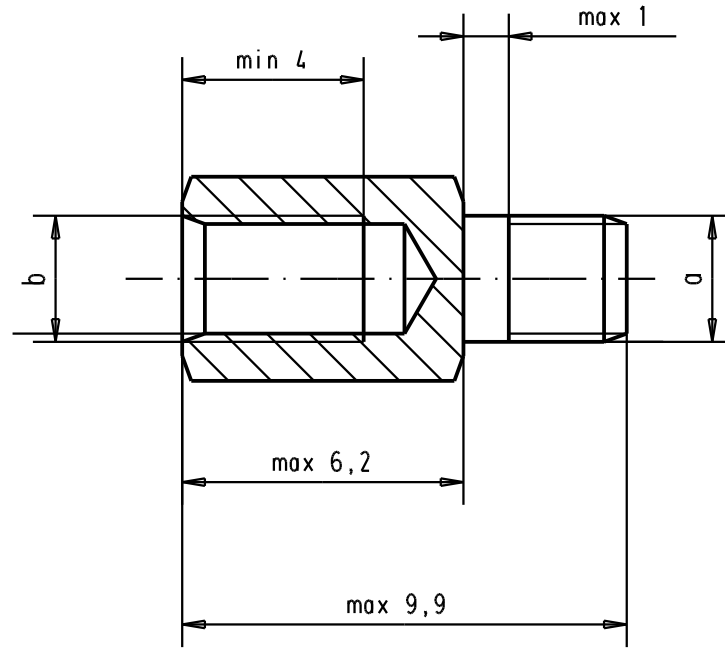
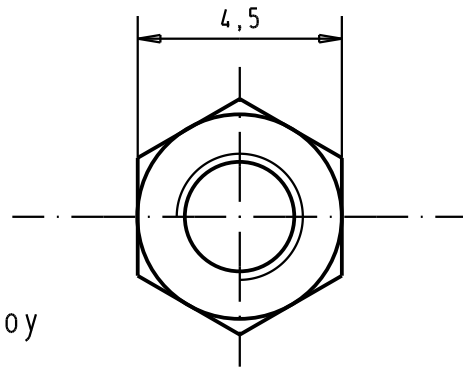
1

D

C

B

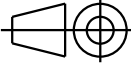

A



Material: Copper Alloy  
Plating: Nickel

UNC 4-40  
Screwing torque: max 0,7 Nm  
Unscrewing torque: min 0,36 Nm

M3  
Screwing torque: max 0,8 Nm  
Unscrewing torque: min 0,5 Nm

				 All Dimensions in mm Original Size DIN A 4			Techn. Character.			Free size tolerances		
							Dat. Name Scale			D-SUB Screw Lock		
							Detail 04-11-99 PP Insp. Name Stand. Name					
09660009976	M3/M3	M3	M3									
09660009972	4-40 UNC/4-40 UNC	4-40 UNC	4-40 UNC									
09660009974	M3/4-40 UNC	M3	4-40 UNC	32116	10/06/04	JH	HARTING EURL F 95972 Paris			TB 0966000997x		Page 1 / 1
Part Number	Designation of Screw Lock	a	b	Mod.	Dat.	Name				Sub.		