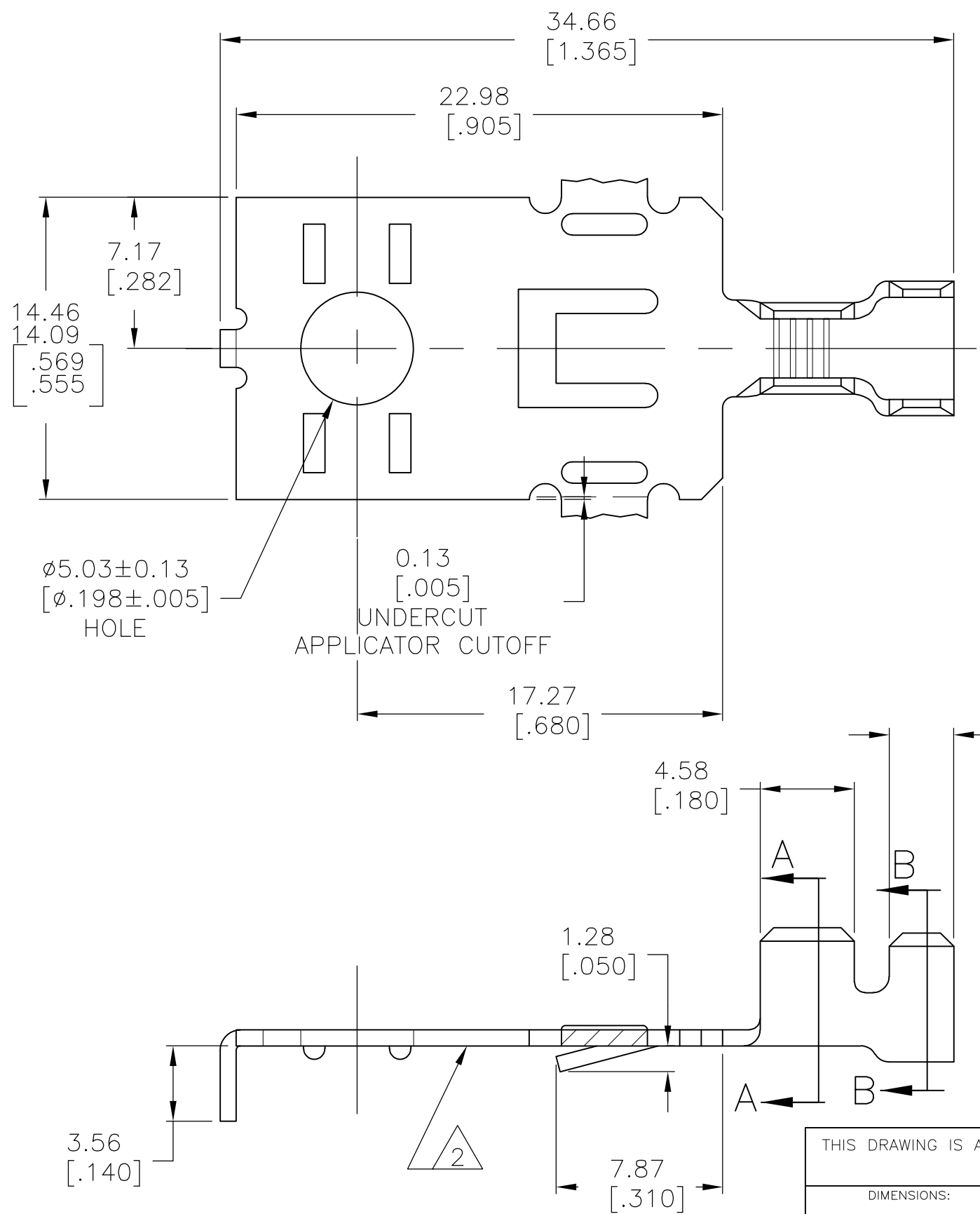
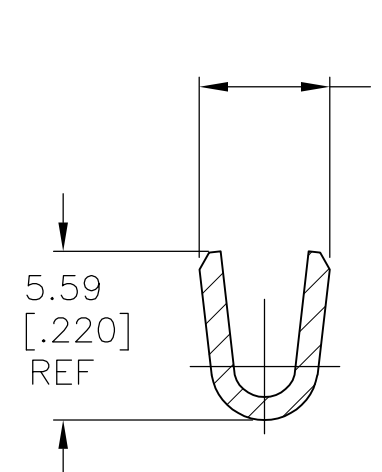


THIS DRAWING IS UNPUBLISHED. RELEASED FOR PUBLICATION  
 © COPYRIGHT BY TYCO ELECTRONICS CORPORATION. ALL RIGHTS RESERVED.

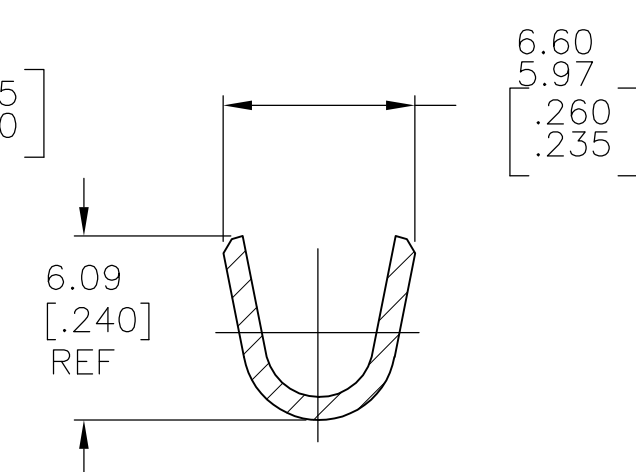
LOC	DIST	REVISIONS			
P	LTR	DESCRIPTION	DATE	DWN	APVD
AF	50	F	REVISED PER ECR-08-007741	08JUL08	HMR GJ



- 1 CONTINUOUS STRIP ON REELS
- 2 VERTICAL BURRS NOT TO EXCEED .005 ALONG THIS EDGE.
- 3 REELED WITH WIRE BARREL OPENING FACING THE CORE
- 4 WIRE SIZE IS #16-#12 AWG OR 2X #14 AWG, [1.25mm<sup>2</sup> - 3.0mm<sup>2</sup> OR 2X 2.0mm<sup>2</sup>]
- 5 INSULATION RANGE IS 2.79 - 4.06 [.110-.160] DIA.



SECTION A-A



SECTION B-B

OBSOLETE	PRE-TIN	63166-5
	-	63166-4
	PRE-TIN	63166-3
	FINISH	PART NO.

THIS DRAWING IS A CONTROLLED DOCUMENT.		DWN	JR RUTH	28JAN03	 Tyco Electronics Corporation Harrisburg, Pa 17105-3608
DIMENSIONS: mm [INCHES]		CHK	D DECKER	28JAN03	
TOLERANCES UNLESS OTHERWISE SPECIFIED:		APVD	D DECKER	28JAN03	NAME
0 PLC ± - 1 PLC ± - 2 PLC ± 0.25[.010] 3 PLC ± - 4 PLC ± - ANGLES ± 1°		PRODUCT SPEC		108-1191	
MATERIAL		APPLICATION SPEC		114-2087	
BRASS, 1/2 HARD		FINISH		SEE TABLE	
CUSTOMER DRAWING			WEIGHT	-	
SCALE			4:1	SHEET 1 OF 1	
REVISED PER ECR-08-007741			DRAWING NO		RESTRICTED TO
A300779			C-63166		-
REV F			REV F		