

NOTES :

1. MATERIAL :

HOUSING : HIGH TEMPERATURE NYLON ,GLASS FIBER, UL94-V0 , COLOR: BLACK  
 TERMINAL : PHOSPHOR BRONZE  
 METAL SHELL : COPPER ALLOY

2. PLATING :

TERMINAL :

CONTACT AREA : (a) GOLD FLASH,  
 (b) GLD (Au), THICKNESS = 30 MICROINCH/0.76 MICROMETER  
 SOLDER TAIL : PURE TIN(Sn),

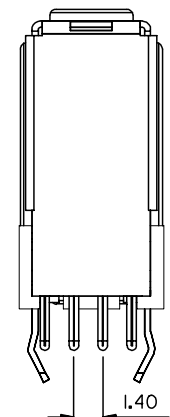
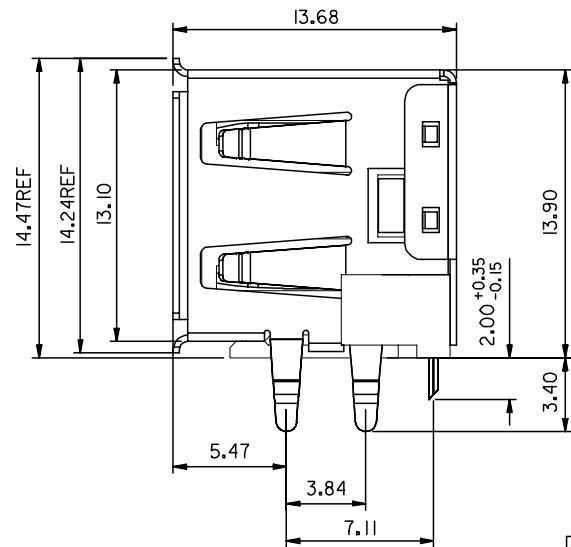
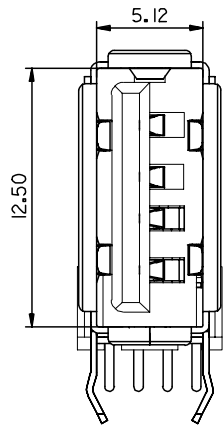
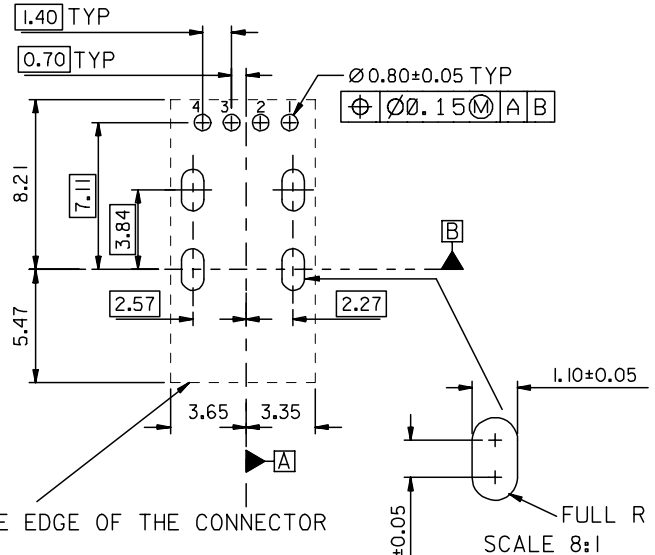
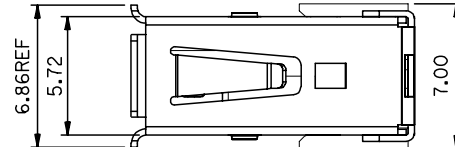
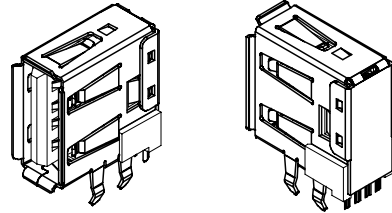
THICKNESS= 75 MICROINCH /1.9 MICROMETER  
 UNDER PLATE : NICKEL (Ni), THICKNESS= 50 MICROINCH/1.27 MICROMETER  
 METAL SHELL :

PURE TIN(Sn), THICKNESS=50-100MICROINCH /1.27-2.54MICROMETER.  
 UNDER PLATE : NICKEL (Ni), THICKNESS= 50 MICROINCH/1.27 MICROMETER

3 RECOMMENDED PCB THICKNESS : 1.20±0.05mm & 1.60±0.05 mm

4 PRODUCT SPECIFICATION : REFER TO PS-89485

5 PACKAGING SPECIFICATION : REFER TO PK-67329-001



PART NUMBER LEGEND:

P/N	CONTACT PLATING
47500-0000	GOLD FLASH
47500-0001	0.76 MICROMETER/30 MICROINCH GOLD

NEW RELEASE	EC NO.	DESCRIPTION
DAVID HU 2004/11/13	DAVID HU 2004/11/13	USB "A" UP-RIGHT CONNECTOR FLANGE OUT TYPE (LEAD-FREE)
HARVEY 2004/11/13	HARVEY 2004/11/13	
A	REV	

QUALITY SYMBOLS	GENERAL TOLERANCES: (UNLESS SPECIFIED)
MAJOR = 0	mm INCH
CRITICAL = 0	4 PLACES ±0. INCH
	3 PLACES ±0. INCH
	2 PLACES ±0.25 ±0.10
	1 PLACE ±0.25 ±0.10
	ANGULAR: ±3°
	DRAFT WHERE APPLICABLE MUST REMAIN WITHIN DIMENSIONS

SCALE	DESIGN UNITS
4:1	mm INCH
	DRAWN BY & DATE
	DAVID HU 2004/11/13
	CHECKED BY & DATE
	HARVEY 2004/11/13
	APPROVED BY & DATE
	VINCENT 2004/11/13
	CAD FILENAME
	SD4750002S01

THIRD ANGLE PROJECTION	DIMENSIONS:	SHT	A
	mm INCH mm ONLY	1	REV
			REVISE ON CAD ONLY
TITLE: USB "A" UP-RIGHT CONNECTOR FLANGE OUT TYPE (LEAD-FREE)		MOLEX INCORPORATED	
MATERIAL NO.	DRAWING NO.	SHEET NO.	
47500-000*	SD-47500-002	1 OF 1	
THIS DRAWING CONTAINS INFORMATION THAT IS PROPRIETARY TO MOLEX INCORPORATED AND SHOULD NOT BE USED WITHOUT WRITTEN PERMISSION.			SIZE
			A3

DO NOT SCALE DRAWING

ENG. NO

EDP NO.

SIMILAR ITEM

CADFILE NO.

DO NOT SCALE DRAWING

F

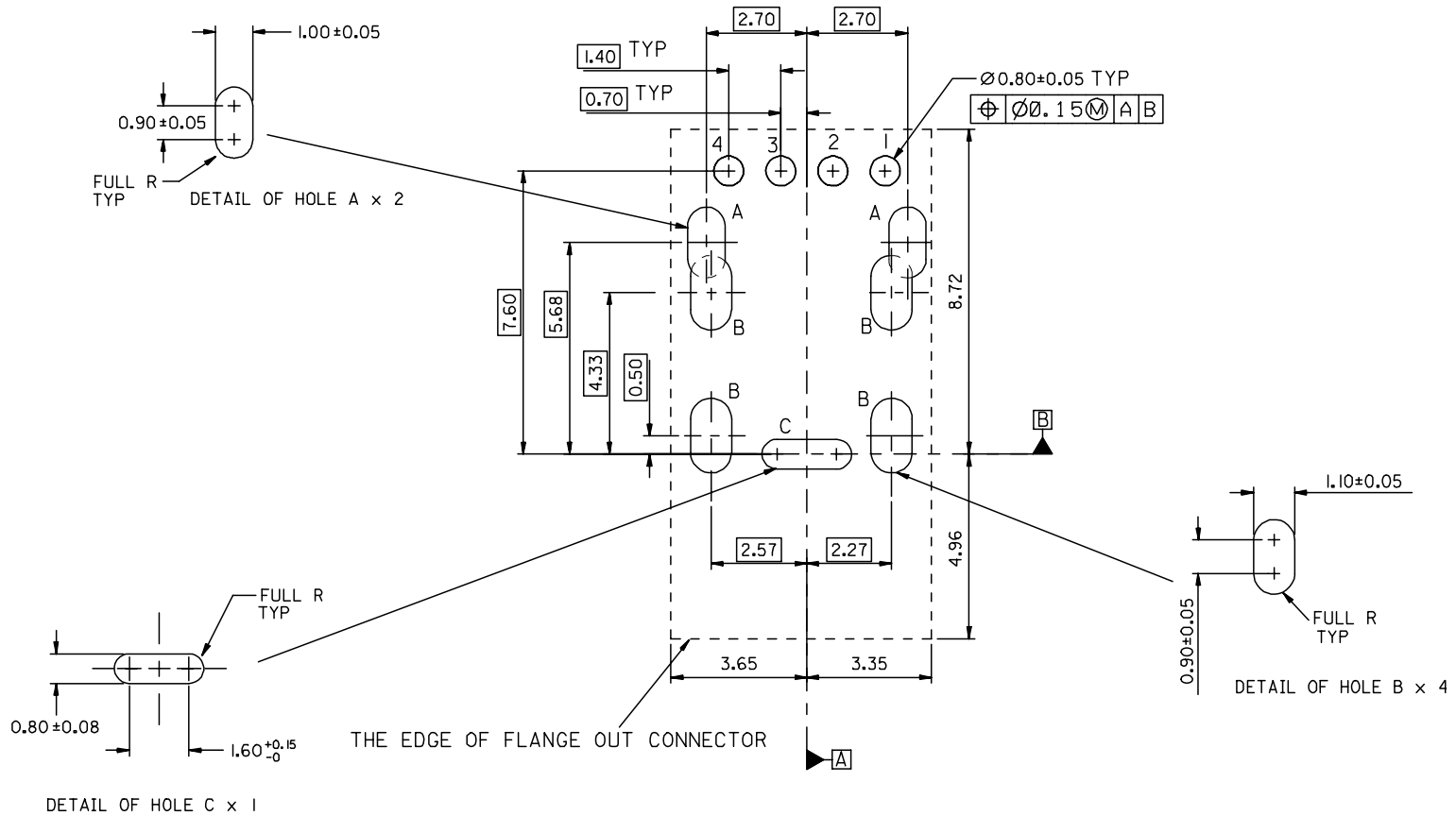
E

D

C

B

A



NEW RELEASE EC NO: SH2005-0144 DRWN: DAVID HU 2004/11/13 CHKD: HARVEY 2004/12/07 APPR: YIYAP 2004/12/07	QUALITY SYMBOLS ▽=0 ▽C=0	GENERAL TOLERANCES (UNLESS SPECIFIED)		DIMENSION STYLE MM ONLY	SCALE 8:1	DESIGN UNITS METRIC	THIRD ANGLE PROJECTION		
		4 PLACES	± ---	± ---	DRAWN BY DAVID HU	DATE 2004/11/13	TITLE RECOMMENDED PCB LAYOUT FOR FLANGE OUT & STANDARD USB*A* UP RIGHT CONNECTOR (LEAD-FREE)		
		3 PLACES	± ---	±	CHECKED BY HARVEY	DATE 2004/11/29			
		2 PLACES	± 0.25	± 0.10	APPROVED BY VINCENT	DATE 2004/11/29	MOLEX INCORPORATED		
1 PLACE	± 0.25	± 0.10	MATERIAL NO. 47500-000*	DOCUMENT NO. SD-47500-003	SHEET NO. 1 OF 1				
DRAFT WHERE APPLICABLE MUST REMAIN WITHIN DIMENSIONS		SIZE A3	THIS DRAWING CONTAINS INFORMATION THAT IS PROPRIETARY TO MOLEX INCORPORATED AND SHOULD NOT BE USED WITHOUT WRITTEN PERMISSION						