

4

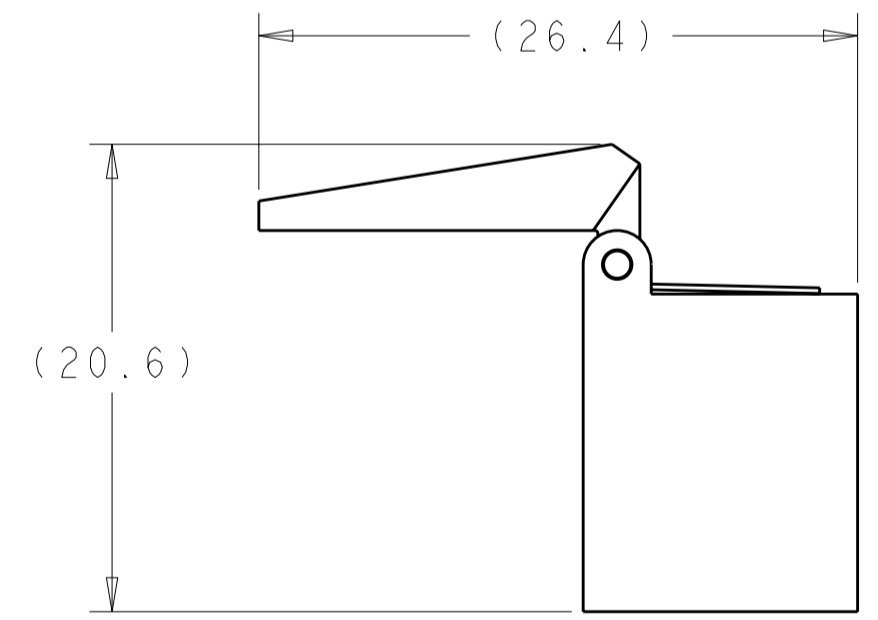
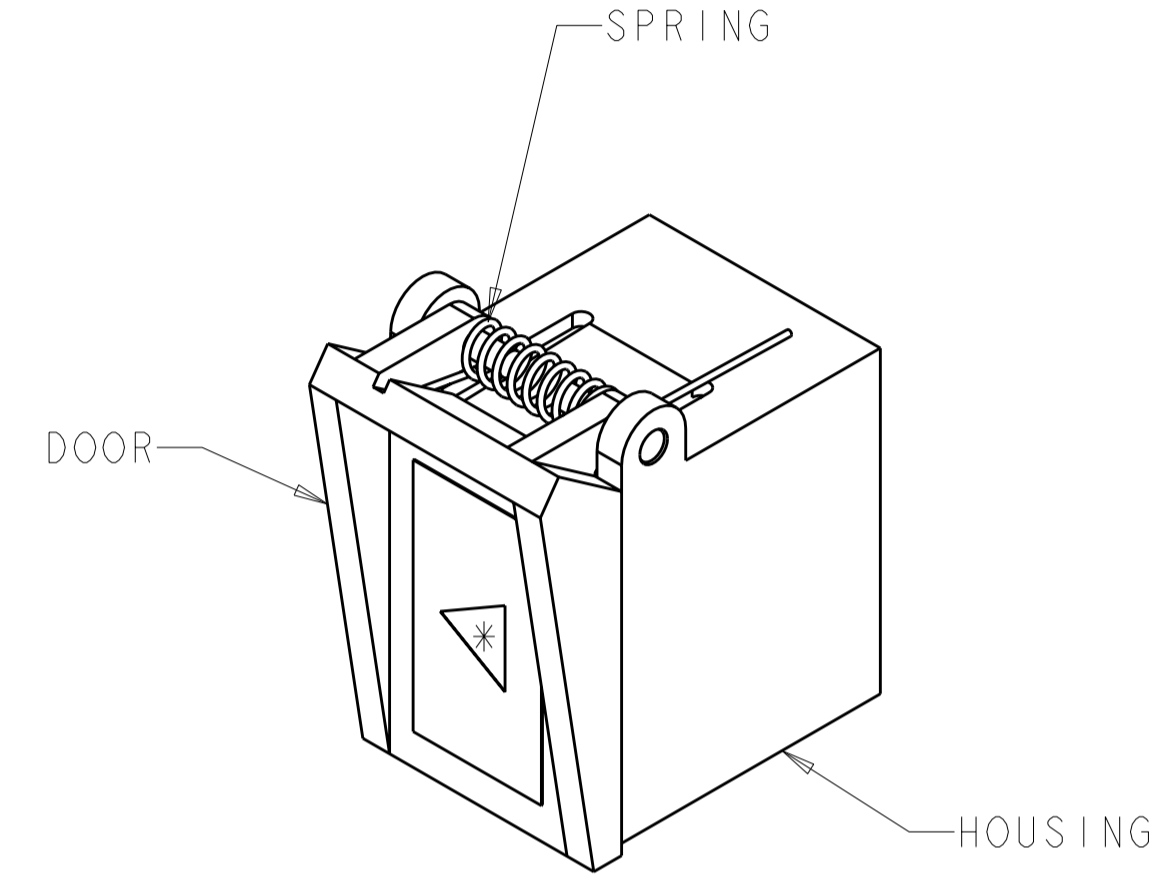
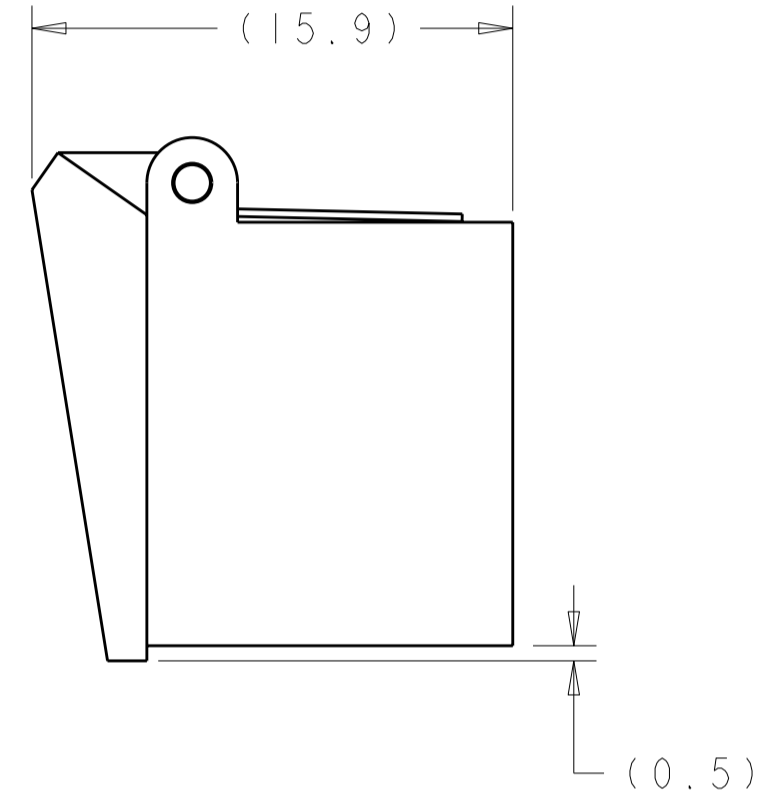
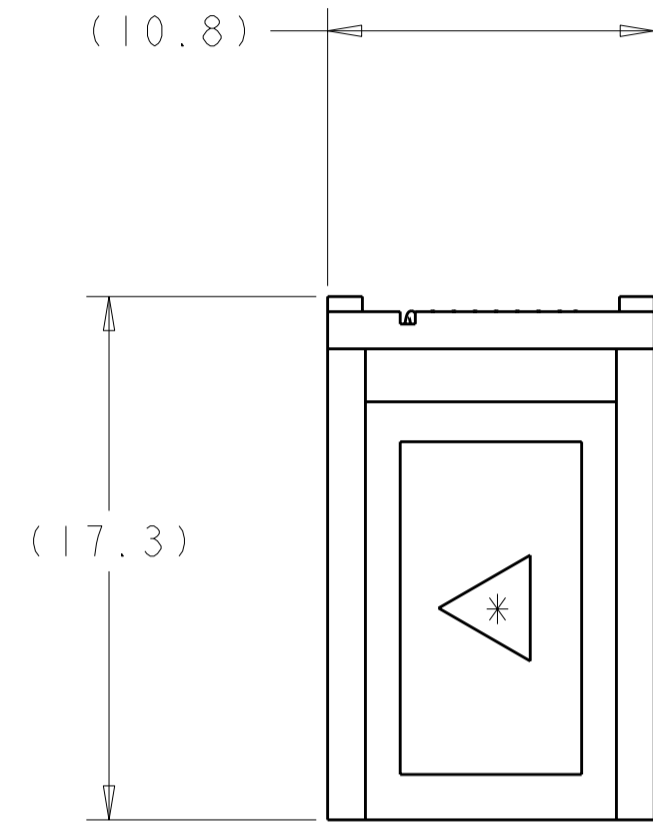
3

2

1

THIS DRAWING IS UNPUBLISHED. RELEASED FOR PUBLICATION 20  
 © COPYRIGHT 20 BY TYCO ELECTRONICS CORPORATION. ALL RIGHTS RESERVED.

LOC	DIST	REVISIONS					
CE	00	P	LTR	DESCRIPTION	DATE	DWN	APVD
		A		EC 0A00-0353-03	23JUL2003	EJH	SB
		B		REVISE PER ECR-08-000308	11JAN2008	BB	SM
		C		REVISE PER ECR-08-16409	02JUL2008	BB	SM



**DOOR OPEN VIEW**

GREEN	1693539-3
BEIGE	1693539-2
BLUE	1693539-1
COLOR	PART NUMBER

⚠ MATERIAL:  
 HOUSING AND DOOR: PBT, UL94 V-0 RATED AT QUALIFYING THICKNESS  
 SPRING: STAINLESS STEEL

THIS DRAWING IS A CONTROLLED DOCUMENT FOR TYCO ELECTRONICS CORPORATION. IT IS SUBJECT TO CHANGE AND THE CONTROLLING ENGINEERING ORGANIZATION SHOULD BE CONTACTED FOR THE LATEST REVISION.		DWN MDL 08MAY2003	Tyco Electronics Harrisburg, PA 17105-3608	
DIMENSIONS: mm		CHK MDL 08MAY2003	NAME COVER, RETRACTABLE, SC ADAPTER, SIMPLEX	
TOLERANCES UNLESS OTHERWISE SPECIFIED: 0 PLC ±.15 1 PLC ±0.15 2 PLC ±0.08 3 PLC ±0.050 4 PLC ± ANGLES ±1/2 FINISH		APVD SB 08MAY2003	SIZE A2	CAGE CODE 00779
MATERIAL ⚠ -		PRODUCT SPEC -	DRAWING NO. 1693539	RESTRICTED TO -
		APPLICATION SPEC -	SCALE 3:1	SHEET 1 OF 1
		WEIGHT -	REV C	
		CUSTOMER DRAWING		