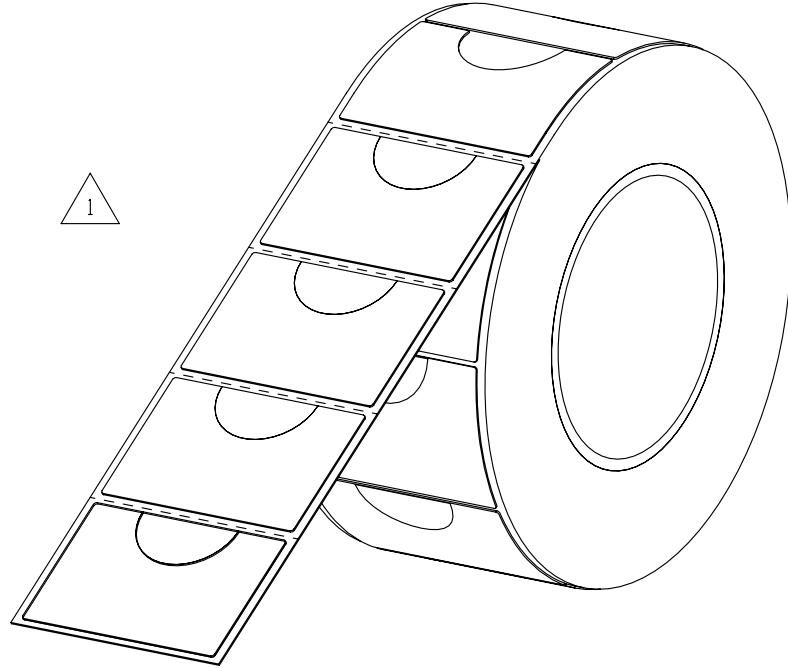
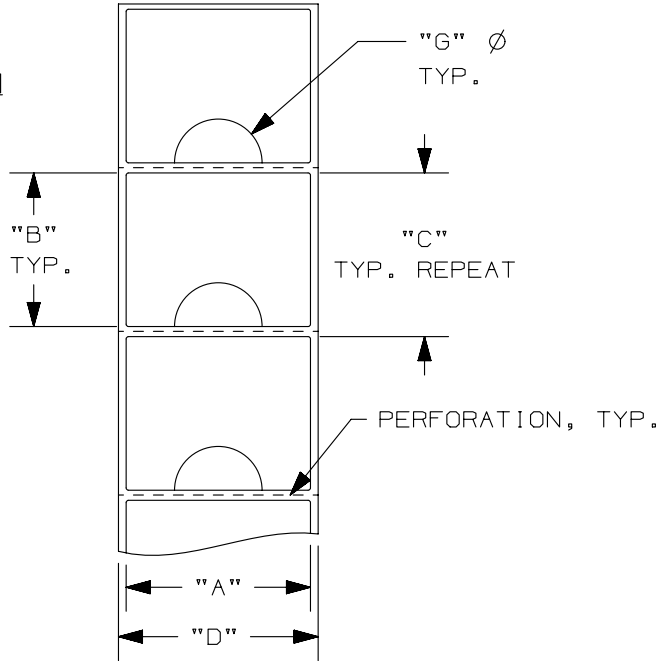


THIS COPY IS PROVIDED ON A RESTRICTED BASIS AND IS NOT TO BE USED IN ANY WAY DETRIMENTAL TO THE INTERESTS OF PANDUIT CORP.

NOTES:  
1. DIMENSIONS IN [ ] ARE IN MILLIMETERS.

PANDUIT PART NO.	WIDTH "A" +/- .062	HEIGHT "B" +/- .062	HEIGHT REPEAT "C" +/- .062	WEB WIDTH "D" +/- .062	"G" RADIUS	THICKNESS	COLOR	PKG. QTY.	PRODUCT TYPE
C180X130APT-30H	1.80 [ 45.72 ]	1.30 [ 33.02 ]	1.428 [ 36.28 ]	2.00 [ 50.80 ]	.570 [ 14.48 ]	.030 +/- .010	WHITE	500	HALF PUSH BUTTON
C240X200APT-30H	2.40 [ 60.96 ]	2.00 [ 50.80 ]	2.125 [ 53.97 ]	2.60 [ 66.04 ]					

FEED DIRECTION



REV	DATE	BY	CHK	APR	DESCRIPTION	ECN
1	1/18/13	RVU	DAPE	SEWH	ADD NEW ISO VIEW. GMH3-W WAS GMH3 FOR WHITE ONLY.	GAECN00543
0	5/5/10	RVU	DAPE		DRAWING RELEASE.	6037

TITLE <b>RAISED PANEL PUSH BUTTON LABELS C***X***APT-30H</b>	
CUSTOMER DRAWING	
ITEM REVISION NAME 100491CP/02	<b>PANDUIT</b> <sup>TM</sup>
DATASET FILE NAME 100491CP-DC-C10834/02B	
UNLESS OTHERWISE SPECIFIED, DIMENSIONAL TOLERANCES ARE: IN [ mm ]	
.x ± .12 [ 3.05 ]	.xxx ± .025 [ .635 ]
.xx ± .062 [ 1.57 ]	ANGLES ±
THIRD ANGLE PROJECTION	
DRAWN BY RVU	DATE 5/5/10
CHK MSAD	SCALE NTS
DRAWING NUMBER: C10834	
SHT 1 OF 1	
SIZE A	

D10100DA/12