

Product Specification

RoHS Compliant LC Universal Dust-Plug for Finisar SFP/SFP+ and SFF Products

FTLFLCDP1

PRODUCT FEATURES

- Prevents dust from contaminating RX and TX optical ports
- Minimizes ingress of aqueous solution into RX and TX optical ports
- Fits into any Finisar-LC SFP, SFF, SFP+ or XFP product
- RoHS compliant/lead-free
- Industrial storage temperature range: -40°C to 85°C



Finisar's FTLFLCDP1 dust plugs are designed for all Finisar SFF, SFP, XFP and SFP+ products with LC optical interfaces. They are made of solid polyurethane material and are RoHS compliant/lead-free.

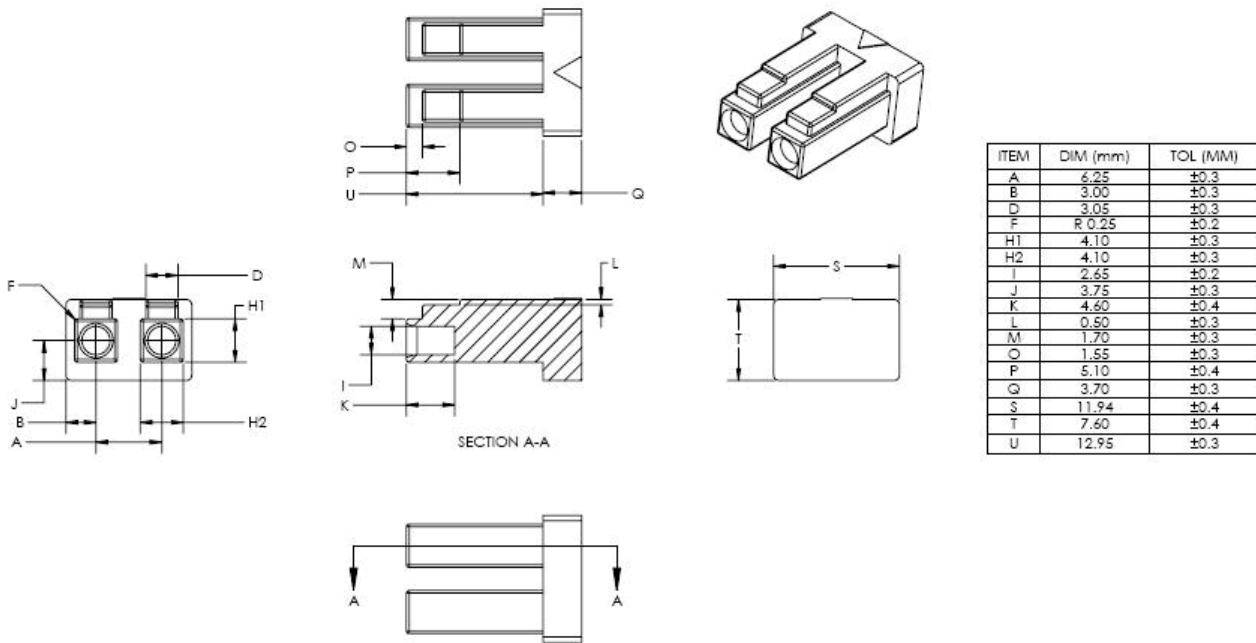
FTLFLCDP1 have no shelf-life limitation and are rated for storage temperatures of -40°C to 85°C.

PRODUCT SELECTION

FTLFLCDP1

Caution: Transceiver TX and RX ports contain optical surfaces that are sensitive to particulates. Contamination from dust can degrade optical transmit and receive power levels. Special care should be used to prevent contaminating process plugs. Always use new or uncontaminated dust plugs to avoid contamination.

Mechanical Specification



For More Information

Finisar Corporation
 1389 Moffett Park Drive
 Sunnyvale, CA 94089-1133
 Tel. 1-408-548-1000
 Fax 1-408-541-6138
sales@finisar.com
www.finisar.com