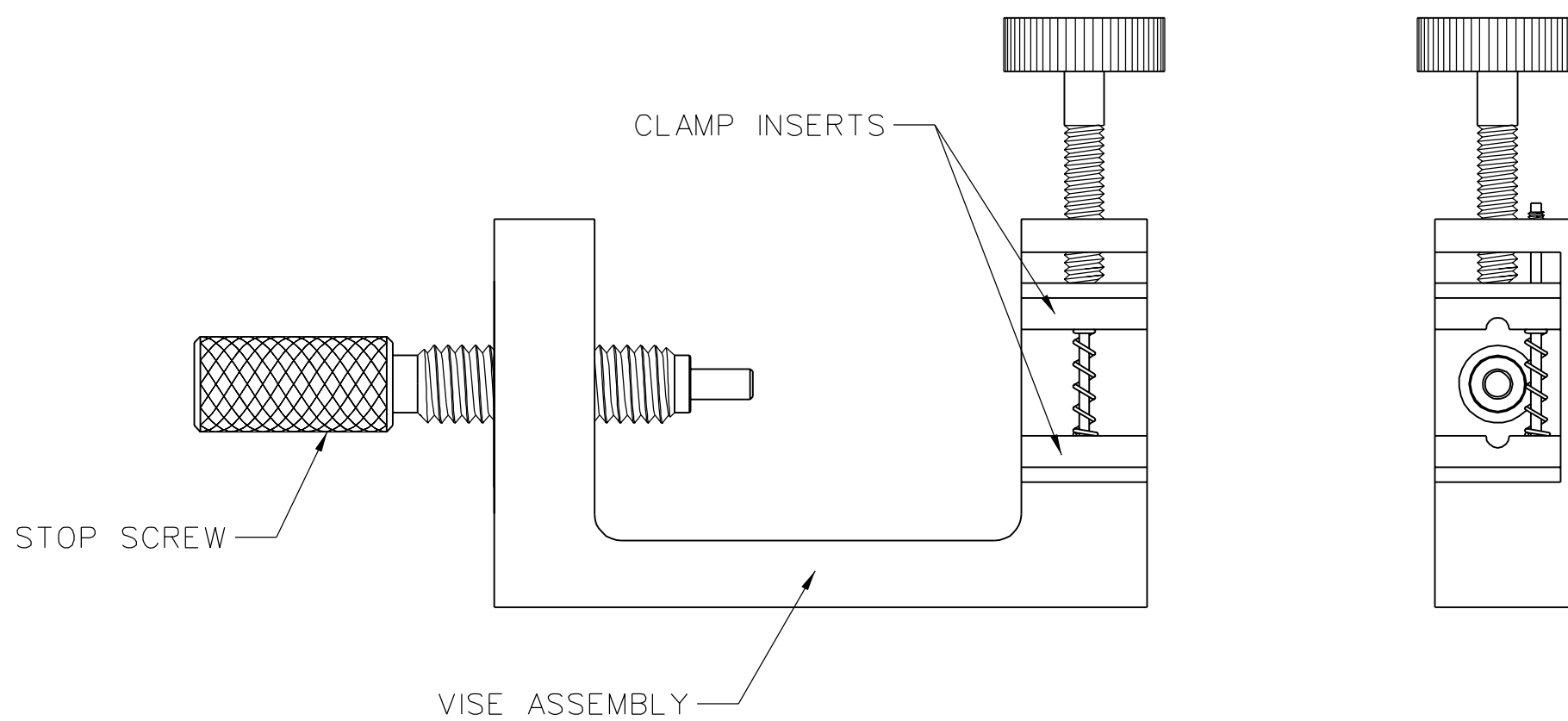
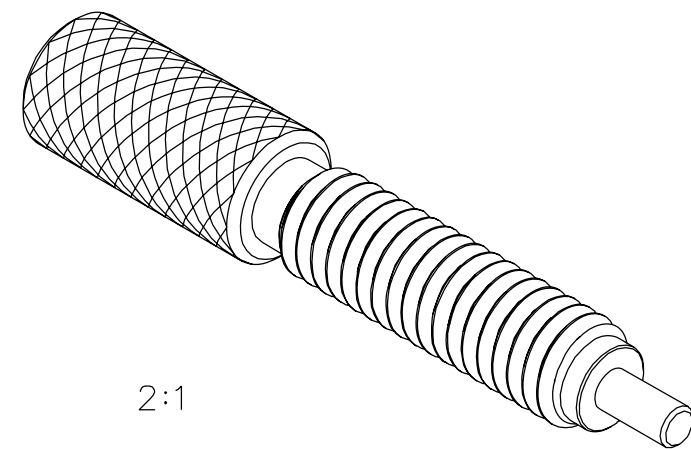


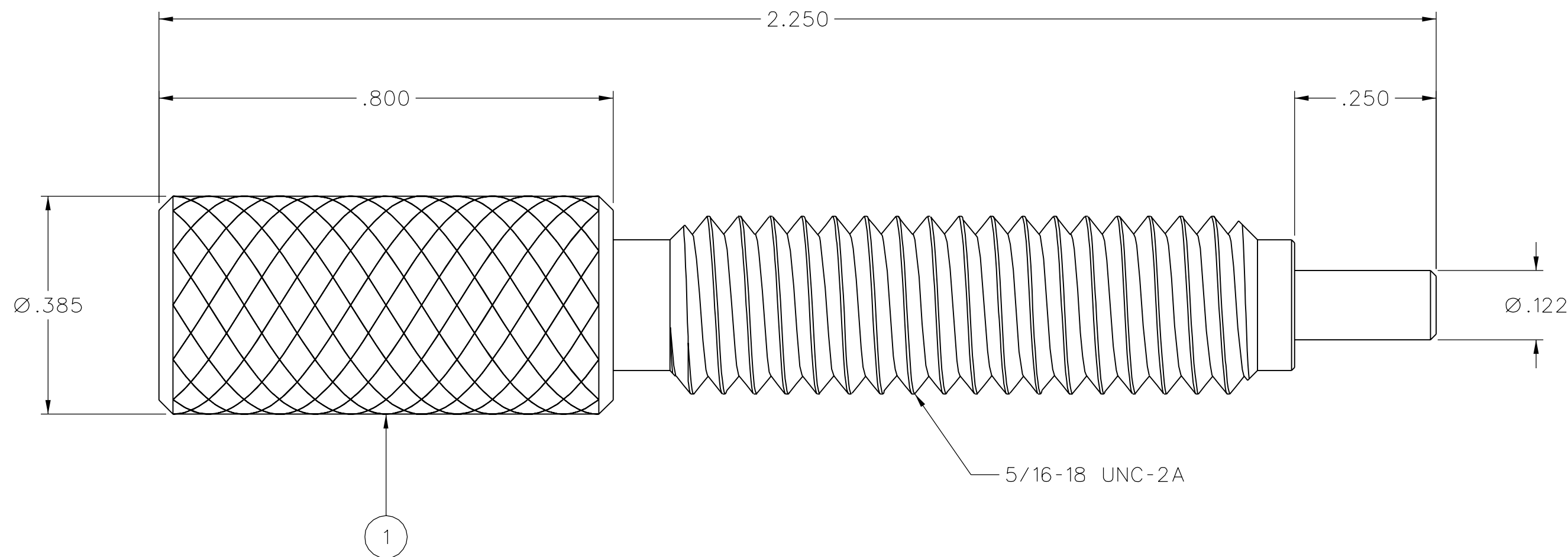
PART NUMBER	ITEM ① STOP SCREW	APPLICATION CABLE CLAMPING VISE
140-0000-982	STAINLESS STEEL PASSIVATED	140-0000-962



CABLE VISE APPLICATION
1.5:1 (FOR REFERENCE ONLY)

DRAWING NO.
C - 140-0000-981

0 REVISIONS					
ENGINEERING RELEASE					
1	12-13-04	JRK	JCN	TJS	3-16-05 ECN 49582
VERSION UPDATE					
2	5-11-05	JRK	JCN	MJU	9-20-05 ECN 49732



NOTES:

- THIS STOP SCREW IS TO BE USED IN CONJUNCTION WITH THE SEMI-RIGID CABLE SOLDERING VISE, AS SHOWN IN THE APPLICATION DETAIL. REFER TO THE APPROPRIATE CONNECTOR ASSEMBLY INSTRUCTIONS FOR PROPER USAGE.

CUSTOMER DRAWING

THIS DRAWING TO BE INTERPRETED
PER ANSII 14.5M - 1982

"μ STATION"

COMPANY CONFIDENTIAL

TOLERANCE UNLESS OTHERWISE SPECIFIED		DRAWN BY	DATE
DECIMALS	mm	JRK	12-6-04
.XX	_____	CHECKED BY	DATE
.XXX REF	_____	JCN	12-13-04
MATL	_____	APPROVED BY	DATE
FINISH	_____	TJS	12-22-04
		RELEASE DATE	3-16-05
		U/M INCH	SCALE 5:1

cinch
CONNECTIVITY SOLUTIONS
a bel group

Cinch Connectivity Solutions
P.O. Box 1732
Waseca, MN 56093
1-800-247-8256

TITLE
STOP SCREW,
CABLE SOLDERING VISE

SHEET 2 OF 2
DRAWING NO.
C - 140-0000-981