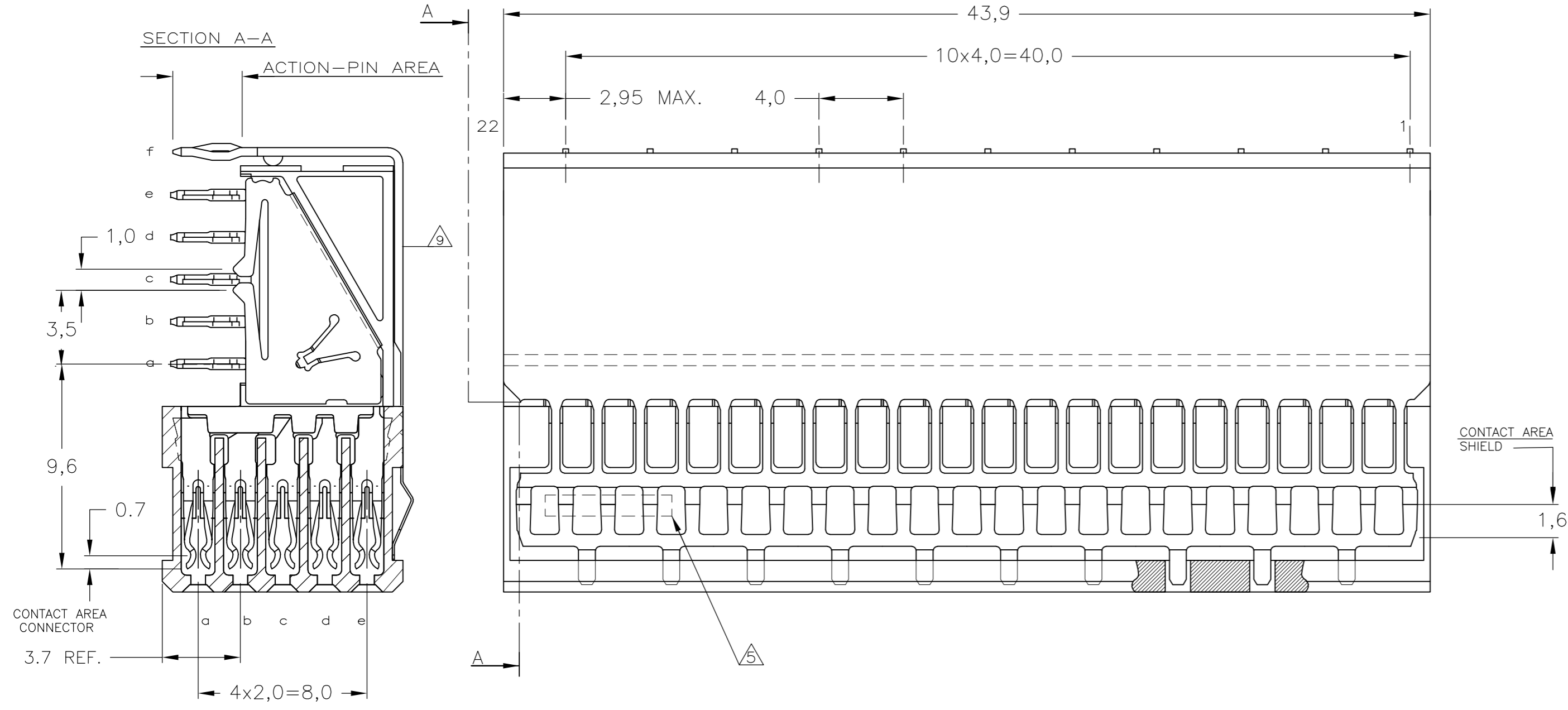
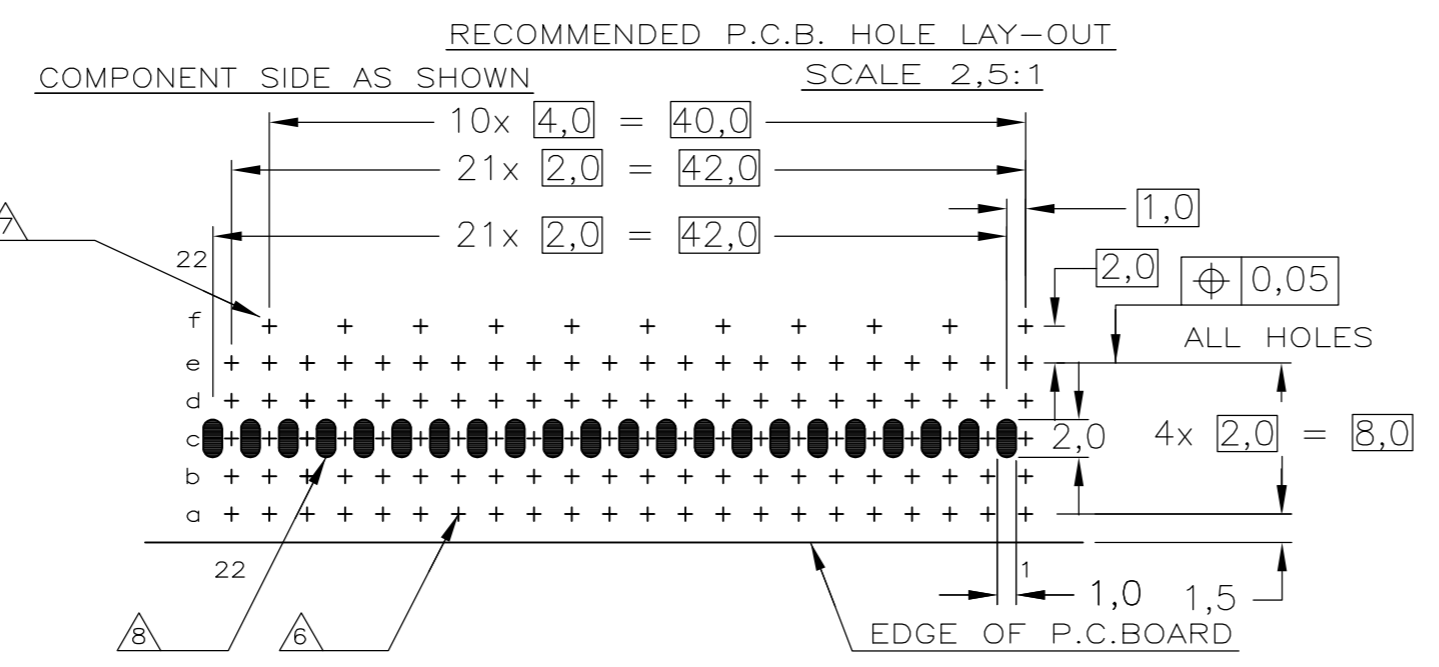
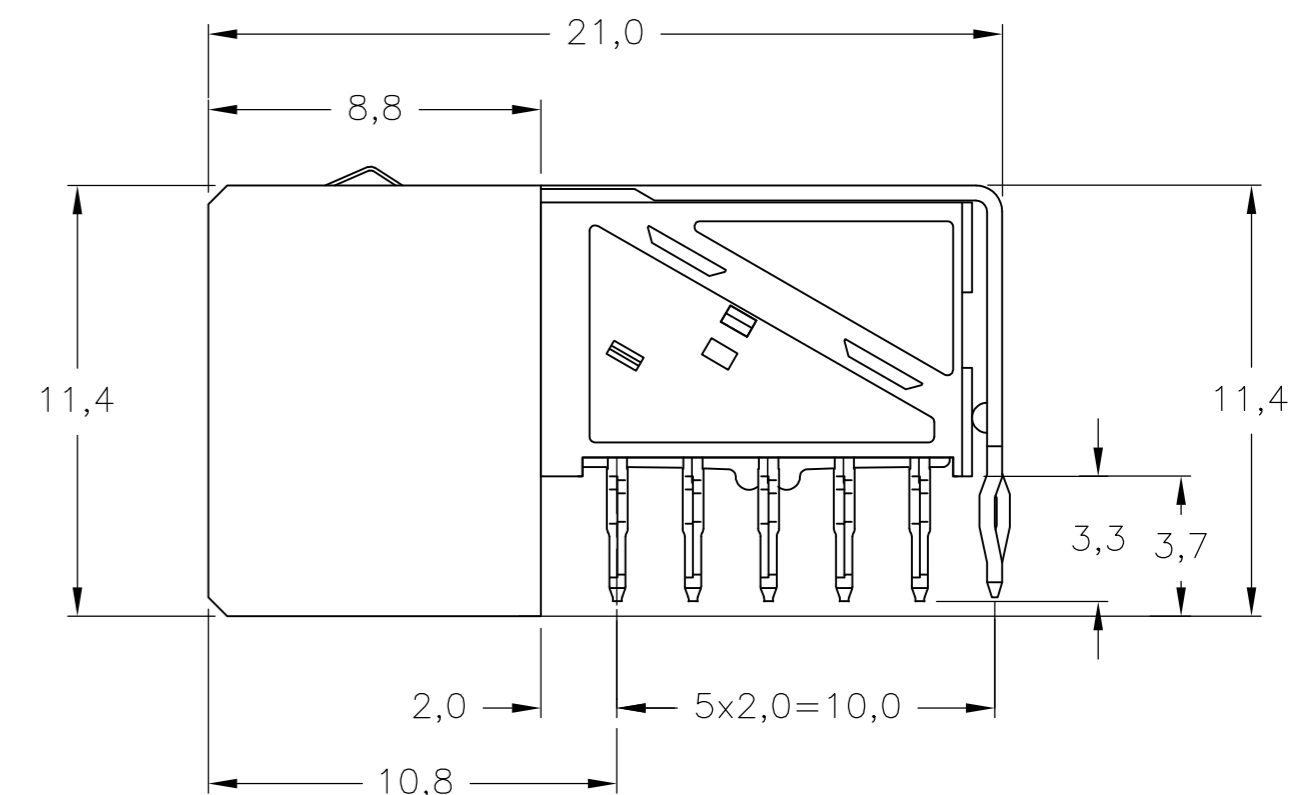
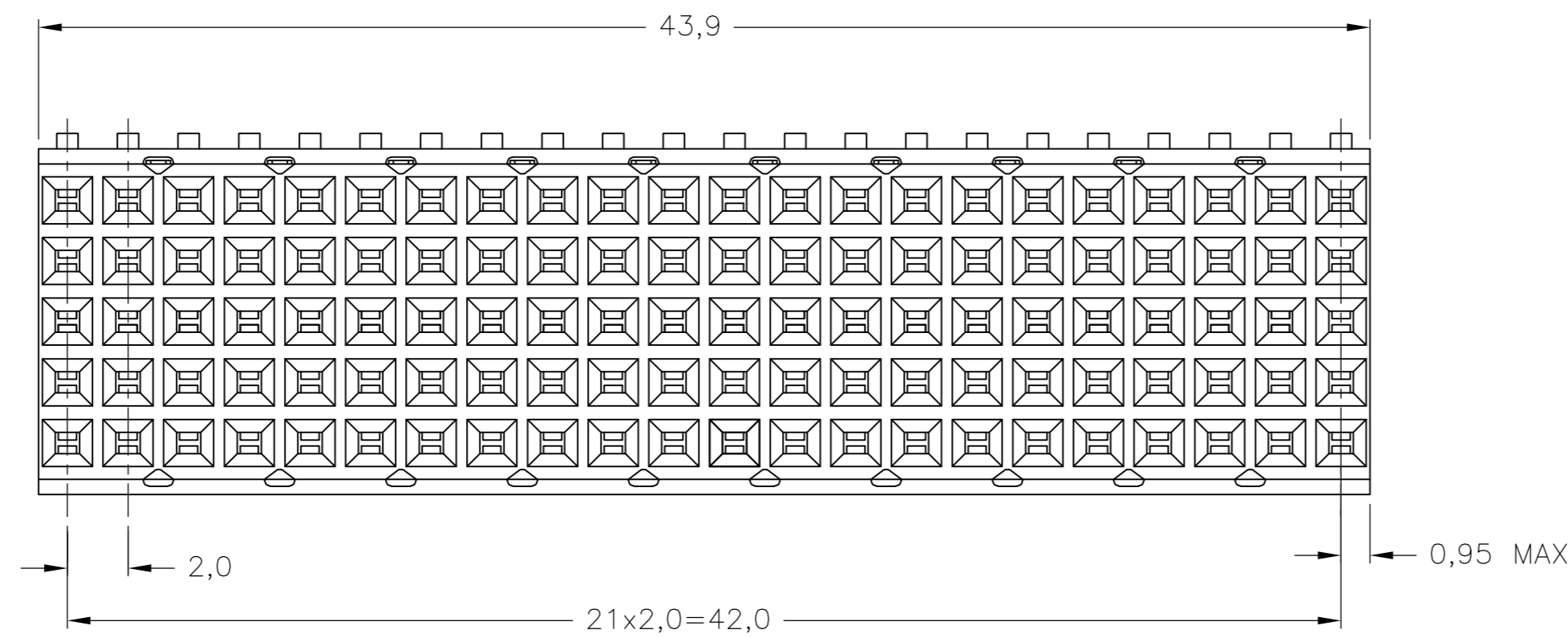


THIS DRAWING IS UNPUBLISHED. RELEASED FOR PUBLICATION
 © COPYRIGHT BY TYCO ELECTRONICS CORPORATION. ALL RIGHTS RESERVED.

LOC	DIST	REVISIONS					
		P	LTR	DESCRIPTION	DATE	DWN	APVD
ES	-		C	ECR-06-026577	14-11-06	BSV	BM
			C1	ECR-09-009198	22-04-09	K.L.	S.Y.
			D	ECR-10-018652	10SEP10	SW	MQW



- NOTES:
- ⚠ MATERIAL CONTACTS; PHOSPHORBRONZE
 MATERIAL SHIELDS ; PHOSPHORBRONZE
 MATERIAL HOUSING; GLASSFILLED POLYESTER (GRAY)
 - ⚠ GENERAL CONTACT PLATING SPECIFICATION: UNDERPLATING (ENTIRE CONTACT): 1,27µm NICKEL MIN. AND ACTION PIN: 0,5µm TIN MIN.
 FOR PLATING OF MATING SURFACES SEE APPLICABLE SPECIFICATION REFERENCE FOR EACH DASH NUMBER.
 - ⚠ CONFORMS TO ALL TESTING ACCORDING IEC 61076-4-101 PERFORMANCE LEVEL 2.
 - ⚠ PLATING SHIELDS :
 GROUND RETURN SHIELD:
 CONTACT AREA: 0,76µm Au MIN.
 ACTION PIN : 1,27µm Sn MIN.
 REMAINDER : Ni
 REDUCED CROSS-TALK SHIELD: GOLD FLASH OVER 1,27 µm NICKEL MIN.
 - ⚠ ASSEMBLY PRINTED WITH P/N AND DATECODE
 THE MARKING CAN APPEAR ON THE FRONT SIDE OR ON THE BACK SIDE.
 - ⚠ HOLE PATTERN FOR FEMALE CONNECTOR TYPE B - 22 COLUMNS
 110 PLATED-THROUGH HOLES AT 2x2mm SQUARE GRID
 - ⚠ ROW "f" 11 PLATED THROUGH HOLES FOR UPPERSHIELD
 - ⚠ PLATED SPOT ONLY ON COMPONENT SIDE, FORMING ONE CONTACT WITH PLATED THROUGH HOLES OF ROW C
 - ⚠ SHIELD MOUNTED ON CONNECTOR WITH DOUBLE SIDED ADHESIVE TAPE
- 10 BASIC P.N. LOWERSHIELD: 5352468



P.C.B. HOLE DIM. ACTION PIN
 FOR DETAILS SEE
 APPLICATION SPECIFICATION

THIS DRAWING IS A CONTROLLED DOCUMENT.		DWN K.N.KIRAN 25AUG2004	Tyco Electronics Corporation s-HertogenBosch,Netherlands,	
DIMENSIONS: mm	TOLERANCES UNLESS OTHERWISE SPECIFIED: ±0.2	CHK B.MOOIJ 22MAR2005	NAME Z-PACK 2mm HM TYPE B - 22 COLUMNS PRE-SHIELDED RECEPTACLE WITH RED.CROSS-TALK SHIELDS	
MATERIAL		APVD B.MOOIJ 22MAR2005	SIZE A2	CAGE CODE 00779
FINISH		PRODUCT SPEC 108-19082	DRAWING NO C=6345007	RESTRICTED TO
		APPLICATION SPEC 114-19029	SCALE 5:1	SHEET 1 OF 1
		WEIGHT	REV D	
		CUSTOMER DRAWING		