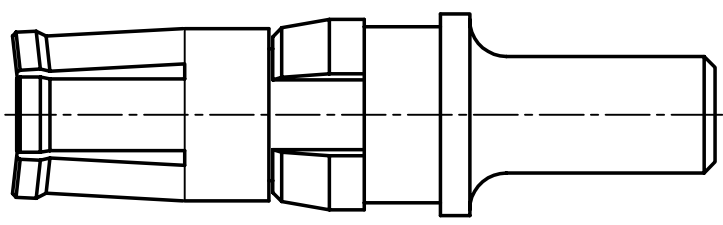
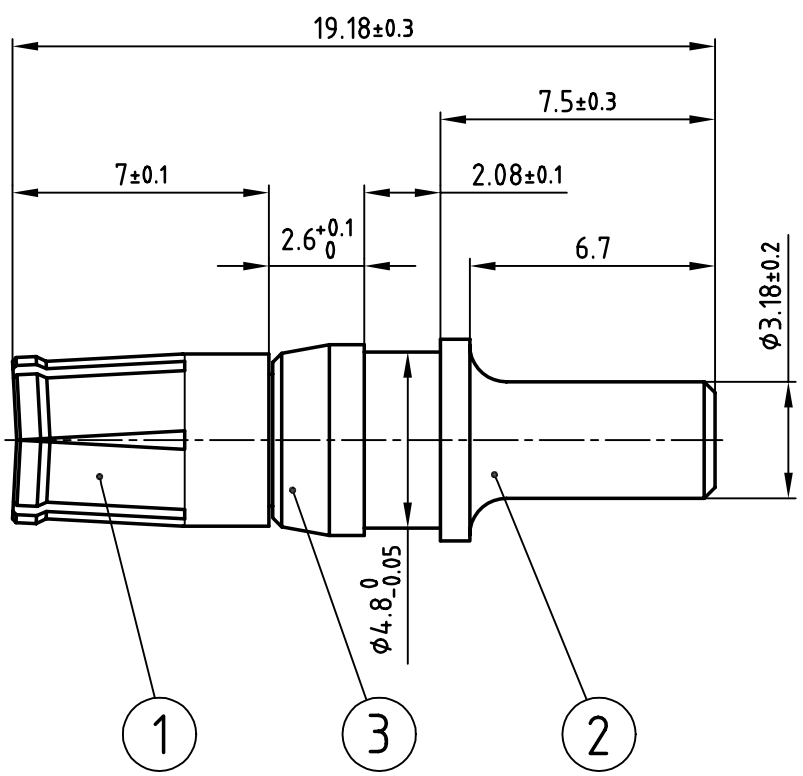


used for: D-SUB COMBINATION



NOTES:

- 1. MATERIAL: COPPER ALLOY
- 2. PLATING:
 ITEM 1: min. 30µ" HARD GOLD OVER min. 50µ" NICKEL
 ITEM 2: TIN PLATED
 ITEM 3: NICKEL PLATED

THIS DRAWING MAY NOT BE COPIED OR REPRODUCED IN ANY WAY, AND MAY NOT BE PASSED ON TO A THIRD PARTY WITHOUT WRITTEN PERMISSION.
 OWNERSHIP AND COPYRIGHT OF CONEC GmbH
 DO NOT ALTER CAD DRAWING BY HAND

			tolerance ISO 2768-m			scale: 5:1
			1998	date	name	material: SEE NOTES
			drawn	23.03.	Barcinski	HIGH POWER CONTACT FEMALE SOLDER PIN STRAIGHT Ø3.18 30A D-SUB COMBINATION
			appd.	23.03.	Mickenbecker	
			norm			
			d-old			
rev.	description	date				dwg no: CAD/ REL.13 13K1IF4A
						product no: 132C12049X DIN-A 4 sh: 1/1

4

3

2

1

F

F

E

E

D

D

C

C

B

B

A

A

4

3

2

1