

MODEL:

# SR2POST12

## 12U SmartRack® Open Frame Rack



12 Rack Units



110 lb.  
Load Capacity



Accommodates Standard  
19-inch Equipment



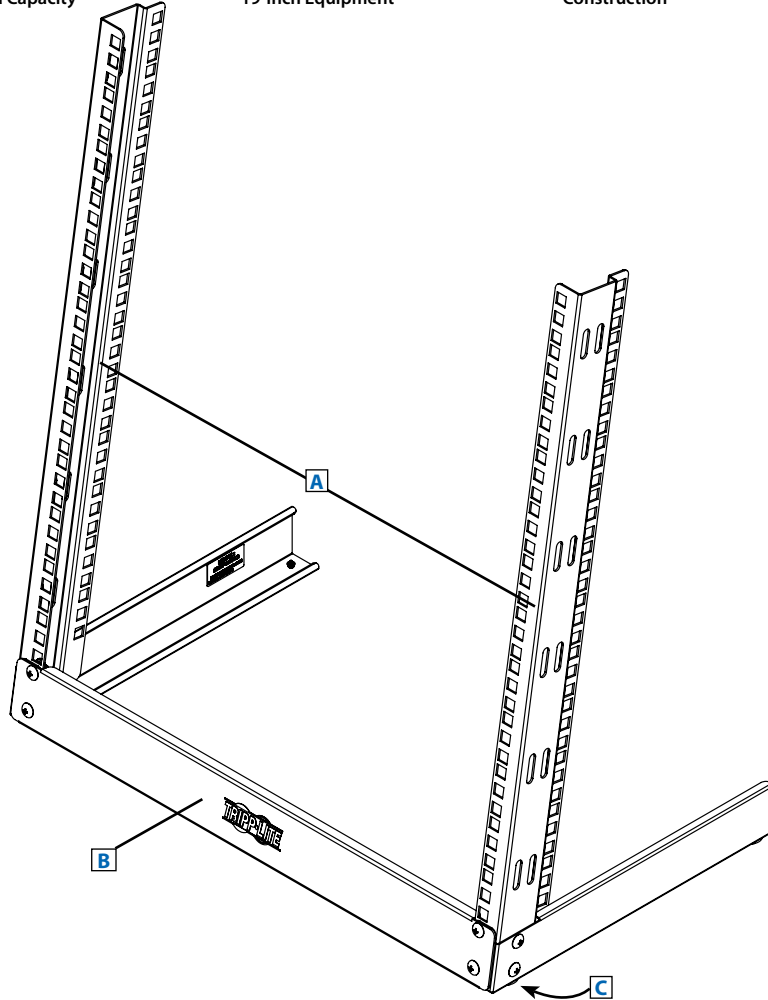
Heavy-Duty Steel  
Construction



Square Hole  
Mounting

- A** Mounting Rails (2)
- B** Heavy-Duty Steel Frame
- C** Rubber Feet (4)

Also Includes: Owner's Manual, installation hardware and rackmount equipment mounting hardware (20 M6 screws, 20 M6 cage nuts, 20 cup washers).



- Ships disassembled for easy transport and assembly in tight spaces
- Free standing design saves space
- Allows fast, easy access to equipment
- Ideal for laboratories, test setups and other secure locations with limited floor space

### Specifications

Model	SR2POST12
Rack Spaces	12U
Load Capacity	110 lb. (50 kg)
Unit Dimensions (H x W x D)	23.18 x 19.81 x 11.64 in. (588.7 x 503.3 x 295.7 mm)
Shipping Dimensions (H x W x D)	3.7 x 3.3 x 25.4 in. (94 x 84 x 645 mm)
Unit Weight	4 lb. (1.8 kg)
Shipping Weight	4.85 lb. (2.2 kg)
Standards	Meets EIA-310-E, NOM (Mexico), IEC 60297-3-100, GOST and RoHS standards

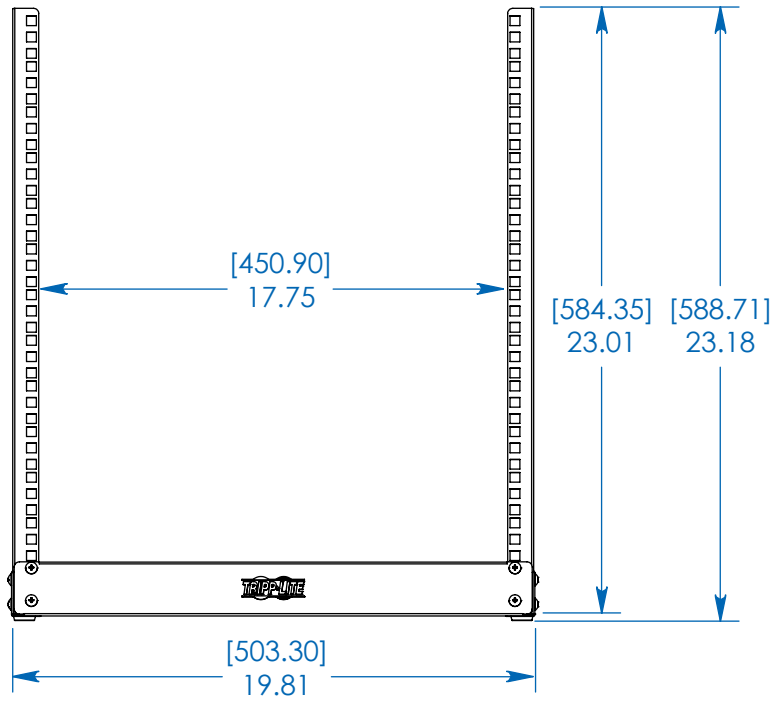
Tripp Lite has a policy of continuous improvement. Specifications are subject to change without notice.



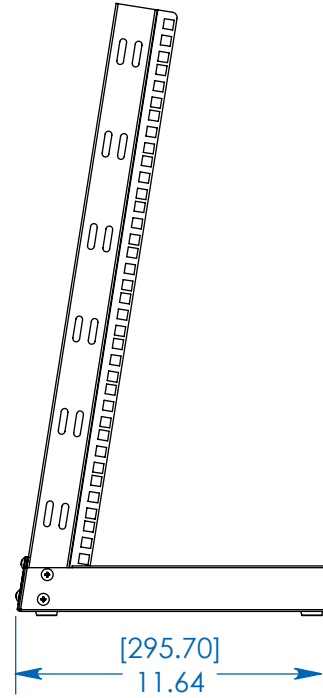
SEE NEXT PAGE FOR DETAILED UNIT MEASUREMENTS



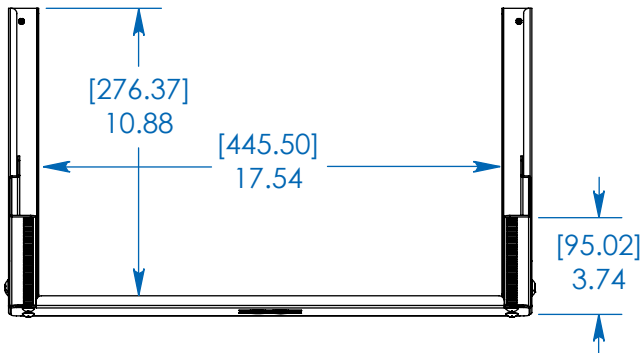
1111 W. 35th Street  
Chicago, IL 60609 USA  
773.869.1234  
www.tripplite.com



FRONT VIEW



SIDE VIEW



TOP VIEW

Dimensions: [mm] INCHES

Tripp Lite has a policy of continuous improvement. Specifications are subject to change without notice.

MODEL:  
**SR2POST12**  
**TRIPP·LITE**

1111 W. 35th Street  
 Chicago, IL 60609 USA  
 773.869.1234

[www.triplite.com](http://www.triplite.com)